



PARTNER
IN VENTILATION
2VV.CZ

EN

VENESSE






AirGenio control



Installation and operation instructions



1. BEFORE YOU BEGIN

Symbol	Meaning
 CAUTION!	Warning or Caution
 PLEASE NOTE!	Important instructions
 you will need	Practical tips and information
 TECHNICAL INFORMATION	Detailed technical information
	Reference to another part of the manual



Before installing, read carefully the section Safe use of the air curtains, where you will find all the instructions for the safe and proper use of the product.

This manual includes important instructions for the appropriate installation of the air curtains. Before installing, read carefully all the following instructions and observe them. The manufacturer reserves the right to change, including the technical documentation, without prior notice. Keep the manual for future use. The instructions herein are part of the product

Declaration of conformity

Details can be found at www.2VV.cz

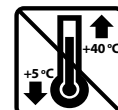
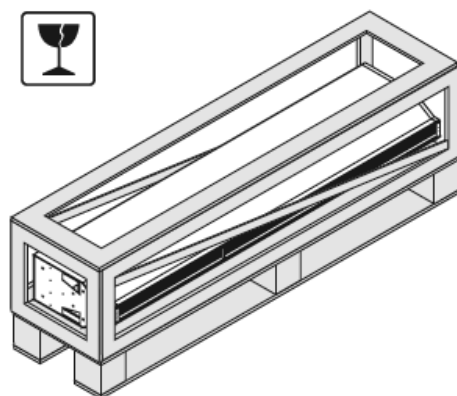
2.1 CONTROL DE DELIVERY





PLEASE NOTE

Check the product for damages immediately after delivery. In case of damage to the packaging, contact the carrier. Claims not filed in due time will be disregarded.

- Check that it corresponds to the type of product ordered. In case of discrepancy, do not unpack the product and contact the vendor.
- After unpacking, check that the product and all the other components are in good order. In case of doubt, contact the vendor.
- Do not install a damaged unit!
- If you will not unpack the product immediately after delivery, store it indoors, in a dry place with ambient temperatures between +5 °C and +40 °C.



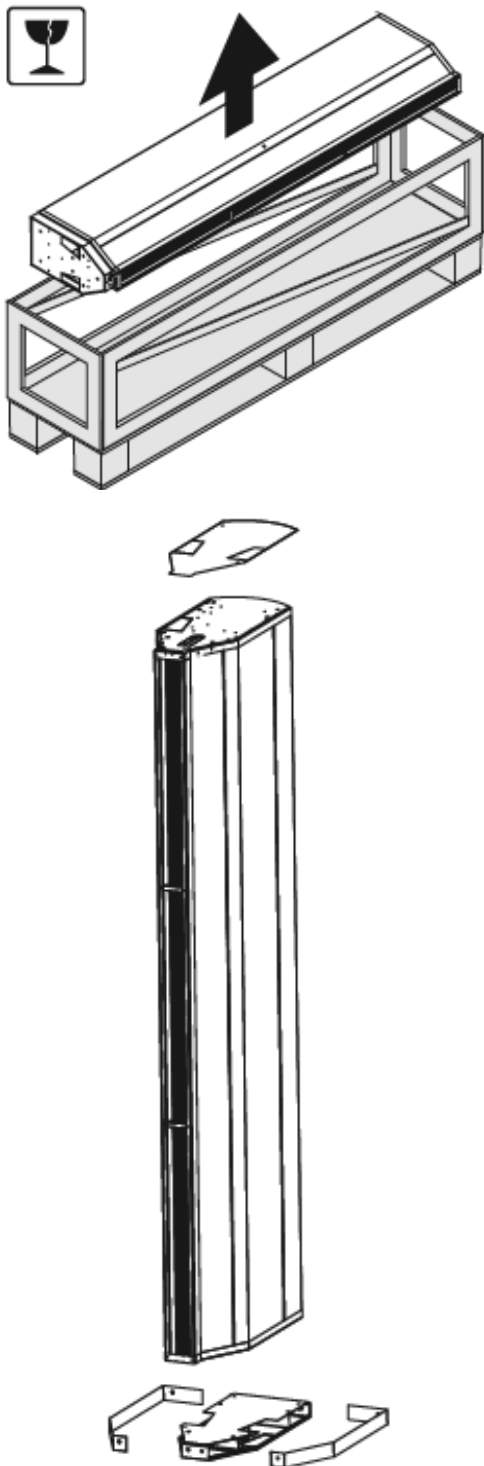
	All the packaging material is environmentally friendly and can be reused or recycled. Contribute actively to the protection of the environment and ensure the proper disposal or recycling of the packaging materials.	
---	--	---

2. UNPACKING

 **PLEASE NOTE**

- If the unit was transported in temperatures lower than 0°C, after unpacking, leave it in operational conditions for at least two hours without activating in order to compensate the inner temperature.

2.2 UNPACK THE AIR CURTAIN



COMFORT Master



VCV-xxx-CO - 2x
VCV-xxx-CS - 0x



SUPERIOR



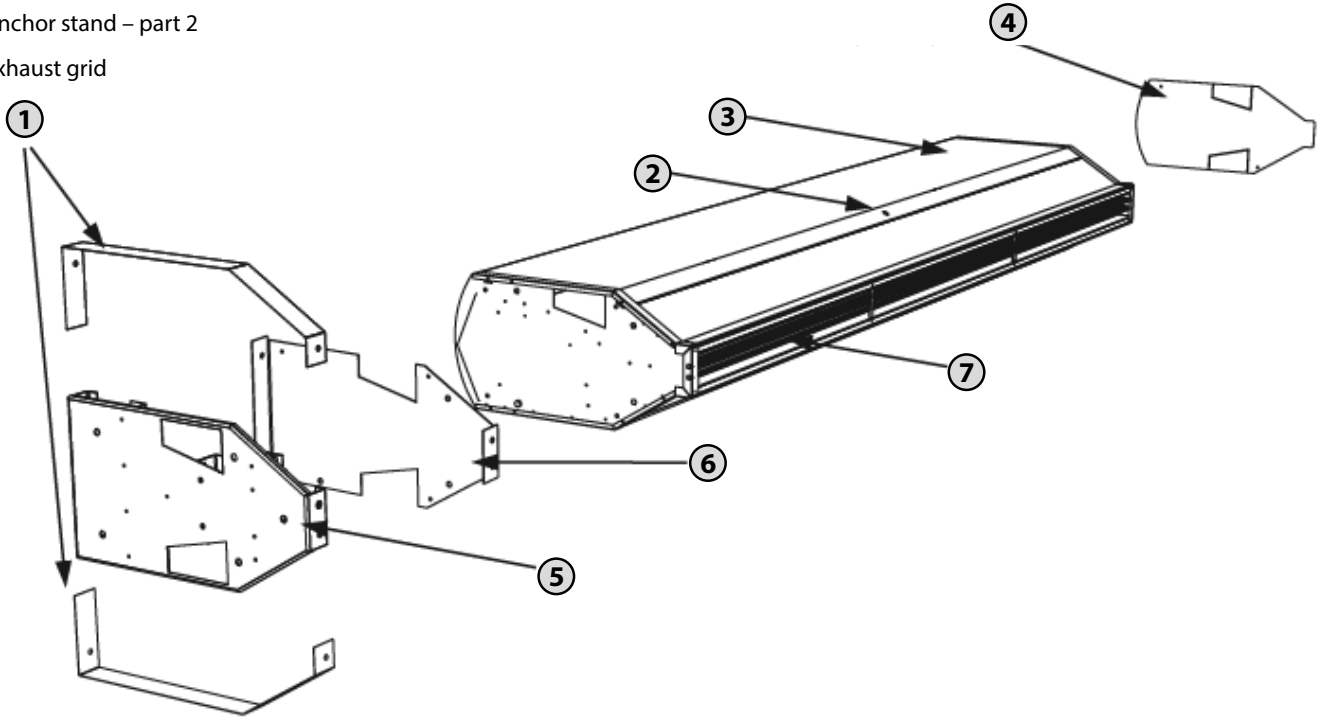
VCV-xxS/E-SU - 2x
VCV-xxW-SU - 3x

VCV-xxS/E-SS - 0x
VCV-xxW-SS - 1x



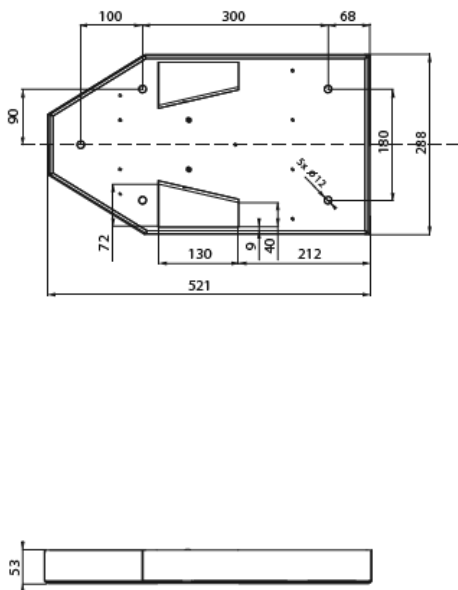
3. MAIN PARTS

- ① Anchor stand covers
- ② Locking bolt
- ③ Service cover
- ④ Upper cover
- ⑤ Anchor stand – part 1
- ⑥ Anchor stand – part 2
- ⑦ Exhaust grid

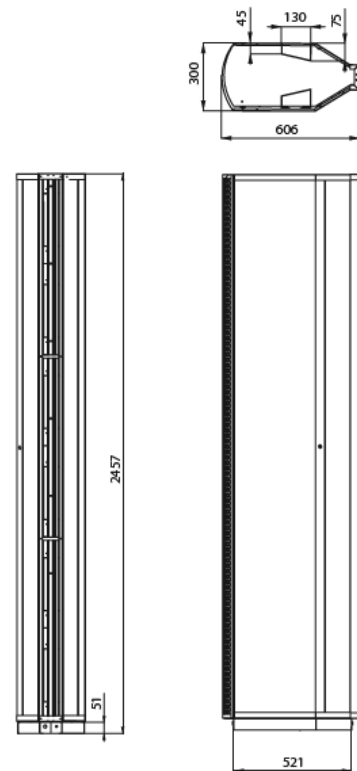


4. DIMENSIONS

Anchor stand dimensions (mm)



Air curtain dimensions (mm)



5. TECHNICAL PARAMETERS

Type	Heater power output [kW]		Total power input [kW]	Total voltage/ current [V/A]	Motor voltage/ current [V/A]	Temperature increase Δt [°C]	Frequency [Hz]	Weight [kg]
	1st level	2nd level						
VCV-B-25S	-	-	1,65	230/7	230/6,5	-	50	95
VCV-B-25E	13	24,0	25,65	400/42	230/6,5	15,5* ¹	50	103
VCV-B-25F	19	36,0	37,65	400/59,2	230/6,5	23,3* ¹	50	103
VCV-B-25W	-	50,1*	1,65	230/7	230/6,5	34,4	50	104

* Intake air temperature +18°C, water temperature gradient of 90/70 °C and highest fan speed

Parametry vodních výměníků LPHW

Type	Air output	Heat output	Temperature at exhaust	Pressure loss	Water flow
	[m ³ /h]	[kW]	[°C]	[kPa]	[l/s]
LPHW coil parameters for water temperature gradient 60/40 °C					
VCV-B-25W	4350	24,2	34,6	19	0,3
LPHW coil parameters for water temperature gradient 70/50 °C					
VCV-B-25W	4350	32,9	40,6	34	0,4
LPHW coil parameters for water temperature gradient 80/60 °C					
VCV-B-25W	4350	41,5	46,5	52	0,5
LPHW coil parameters for water temperature gradient 90/70 °C					
VCV-B-25W	4350	50,1	52	73	0,6

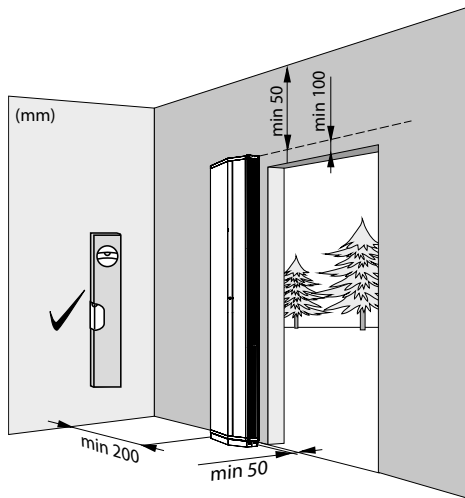
* Temperature of intake air +18 °C



The other technical parameters can be found in the corresponding technical sheet of the product

6. INSTALLATION

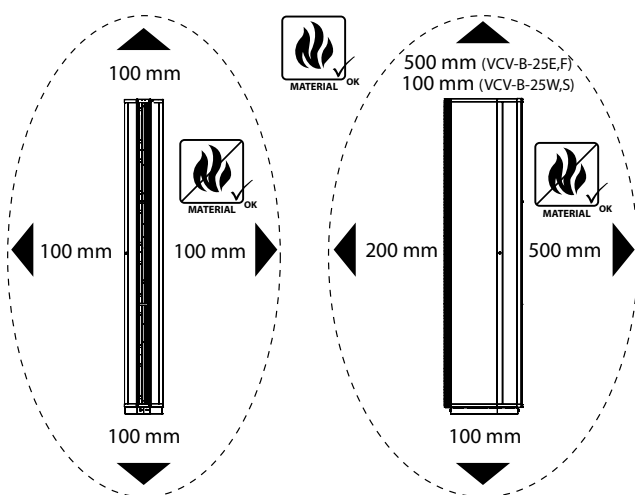
6.1 CHOOSE THE INSTALLATION SITE



6.1-1 Installed dimensions

- The air curtain must be installed only in a vertical position!
- The installed position of the air curtain can be chosen to accommodate the service cover. (Right-left orientation)
- It must be operated in dry, covered indoor spaces with an ambient temperature between +5° C and +35° C and relative humidity up to 80%.
- The air curtain is not intended for moving air that contains combustible or explosive mixtures, chemical fumes, coarse dust, soot, grease, poisons, infectious germs, etc.

6.1-2 Clearance distance

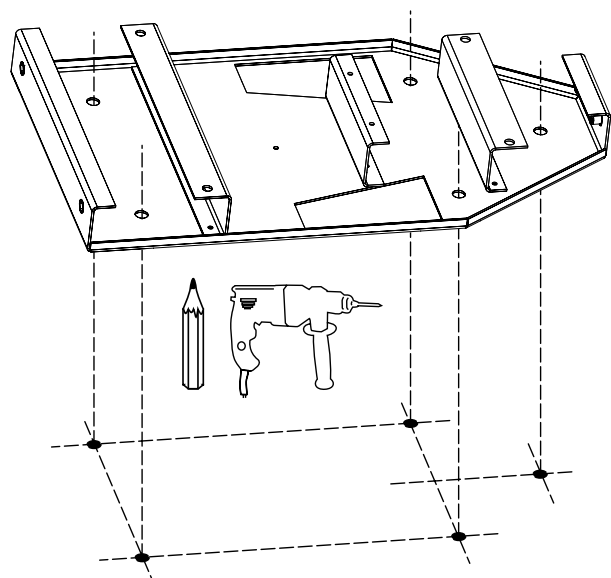


- **Only nonflammable materials** (those that do not burn, smoulder or carbonise) or fire-resistant materials (those that do not burn, but mainly smoulder, e.g., plaster board) **can be kept within 100 mm in any direction of the air curtain.** However, these materials **should not block the intake or outlet openings.**
- For air curtains with an electric heater, safe distances from building structural surfaces and flammable objects are as follows:
 - the safe distance for flammable materials in the direction of the main air flow (i.e., behind the outlet louvers) is **500 mm**,
 - the safe distance for flammable materials above the air curtain is **500 mm**,
 - the safe distance for flammable materials in other directions is **100 mm**.

6.1-3 Measure the installation site

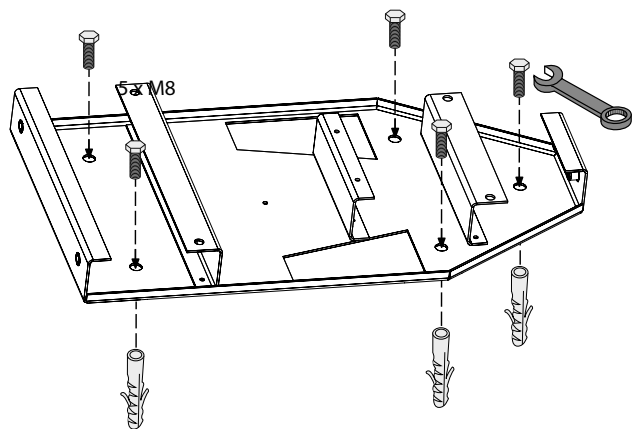
Measure the site for installing the air curtain. If the electrical cables are to run along the floor, it is necessary to mark off the installation area, including ports for electrical or heating fuel lines (air curtain VCV-B-25W).

Measure and mark the holes for the anchor stand. The correct dimensions of the holes can be verified by placing the anchor stand on the place marked.



6. INSTALLATION

6.1-4 Secure the anchor stand (part 1) to the floor.

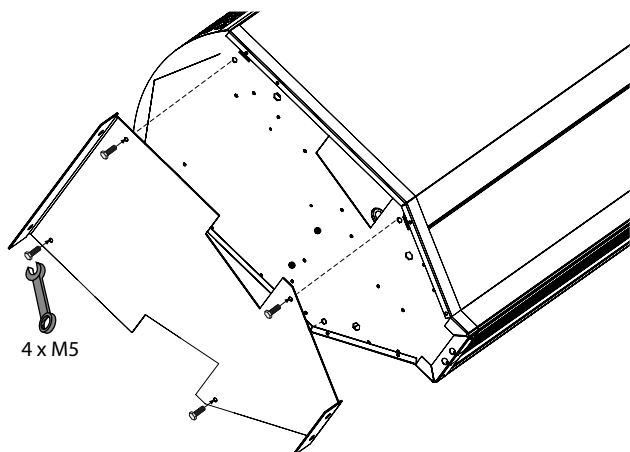


- **The air curtain must be stably attached!**
Use only high-quality anchoring materials!



- At least **5** size **M8** screws (Not included in delivery). The type and size of the bolts depends on the flooring material.
- The same type, number and size of anchor sleeves, depending on the flooring material.
- A drill with bits of the corresponding size.

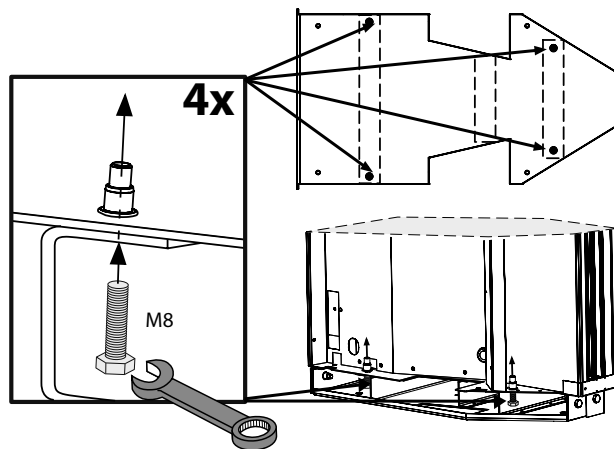
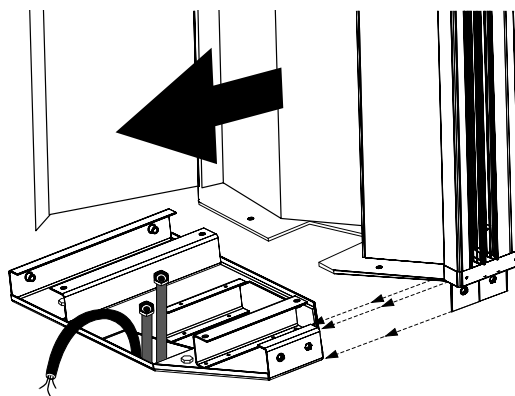
6.1-5 Bolt the anchor stand (part 2) to the air curtain



- At least 4 size M5 bolts (included in delivery)
- A No. 10 wrench

6.1-6 Slide the air curtain onto its stand (part 1).

Slide the air curtain with one anchor stand (part 2) onto the fastened anchor stand (part 1), and immediately secure the air curtain in the anchor stand with 4 vertically placed size M8 bolts. (Included in delivery)

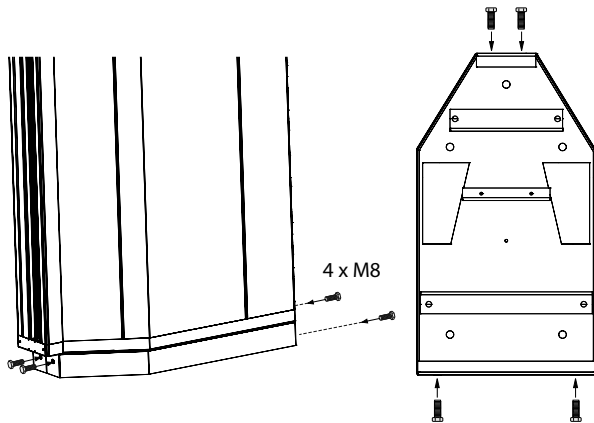


- Keep the air curtain stable while you slide it on!
- Immediately after sliding the air curtain into assembly position, secure anchor frame (part 1) to anchor frame (part 2) using 4 size M8 bolts (Included in delivery).

6. INSTALLATION

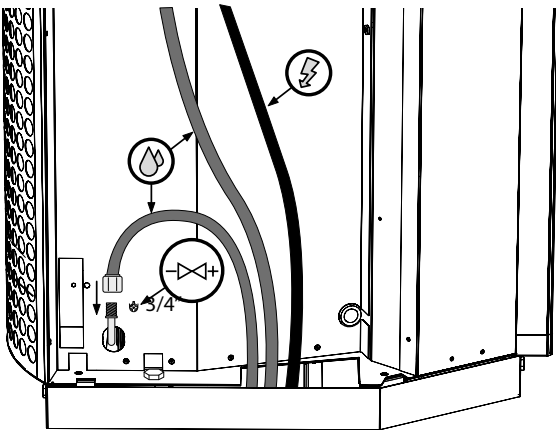
6.1-7 Cover the anchor stand

Put the anchor stand covers on and bolt them down horizontally with 4 anchor bolts.



6.2 CONNECT THE WATER INTAKE AND OUTLET HOSE

VCV-B-25W



- A flexible hose with a G3/4" connection

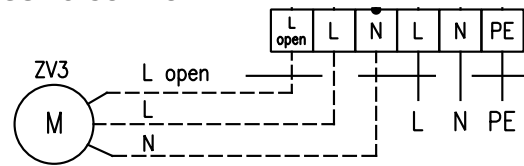


- Connection and pressure testing of the heater must be carried out by an individual with professional plumbing knowledge, who must observe current standards and regulations of the given country.

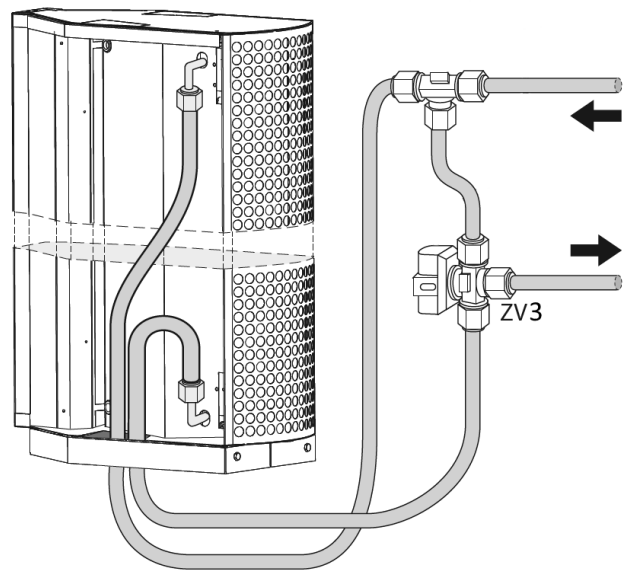
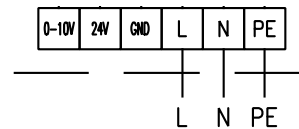
- The water intake and outlet positions can be chosen as you wish. (left-right orientation)
- The maximum water temperature is +100° C. The maximum pressure is 1.6 MPa. We recommend installing a stop valve on the intake and outlet of the heater to allow the water supply to be shut off.
- The water coil is equipped with two air release valves, which can also be used for bleeding, and are located at each end of the water coil.

6.2 Regulating the water coil with a ZV3 three-way valve

AirGenio COMFORT

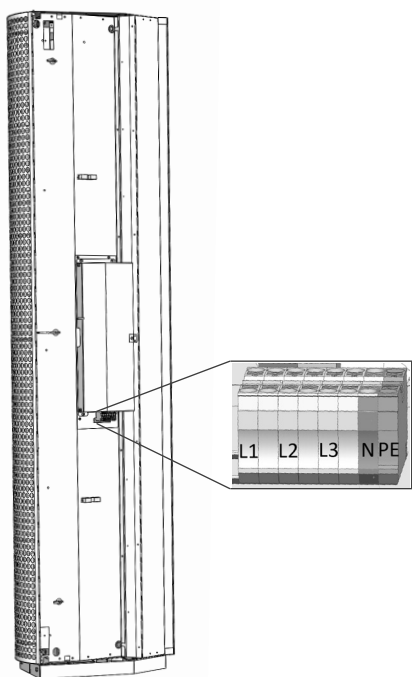


AirGenio SUPERIOR



6. INSTALLATION

6.3 CONNECTING THE ELECTRICAL SUPPLY



- The air curtain's electrical connection must be based on a professional design by a qualified electrical systems engineer.
- Installation must be carried out by a professionally trained electrical worker. All applicable national regulations and directives must be observed.
- The electrical schematics on the product take priority over those presented in this manual!
- Prior to installation, check to see if the terminal markings correspond to the markings on the electrical connections diagram. When in doubt, contact your supplier and do not connect the air curtain under any circumstances.
- Never reach inside the air curtain unless the main electrical supply has been turned off!
- If the product is connected to any control system other than the original one, the regulation and measurement components must be connected by the company that supplied the system.

Minimal cable dimensions:

Type	Cable [pcs x mm ²]
VCV-B-25S	3 x 1.5
VCV-B-25E	5 x 6
VCV-B-25F	5 x 10
VCV-B-25W	3 x 1.5

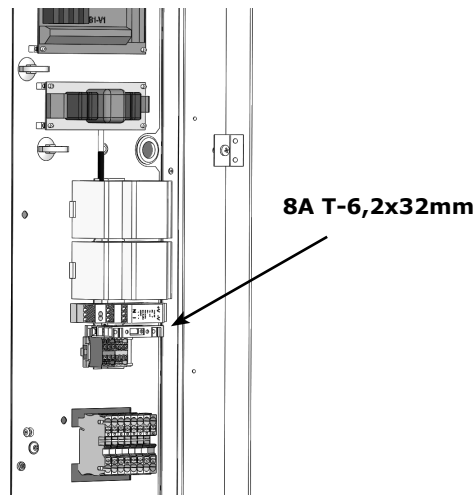


The electrical parameters are shown on the manufacturer's label, which is located under the air curtain's service cover.

Air curtain Type	
U = Voltage	I = Net current
f = Frequency	P = Output
n = Speed	m = Weight
ph = Phase	IP = IP rating
av = Air output	ver =

- The air curtain must be protected by an appropriate circuit breaker, in accordance with its electrical parameters. For safety reasons, over-designed protection is not recommended.
- The air curtain must be connected using the TN-S system, which means that the **neutral conductor must always be connected**.
- A main cut-off switch must be placed in the electrical supply network, **disconnecting all poles of the network**.
- The electrical enclosure of the curtain is IP20.

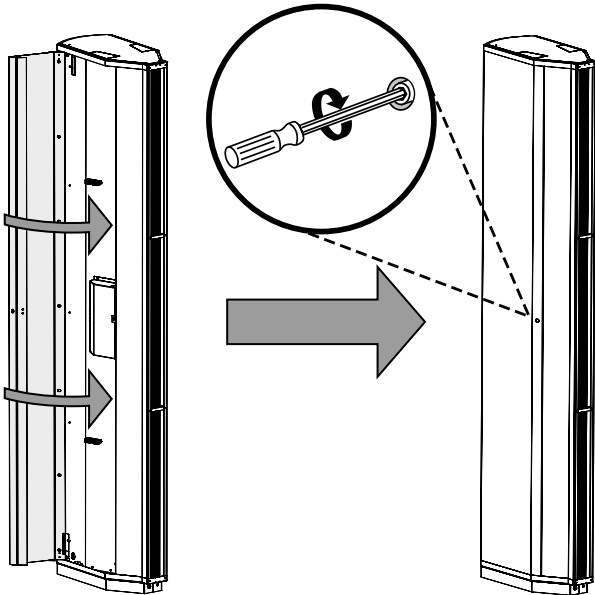
VENESSE air curtains are equipped with an 8A rated fuse. This safety fuse protects the fans.



6. INSTALLATION

6.4 COVERING THE AIR CURTAIN

After connecting the power supply, the water intake and outlet, and all external control elements, close and secure the air curtain's service cover.



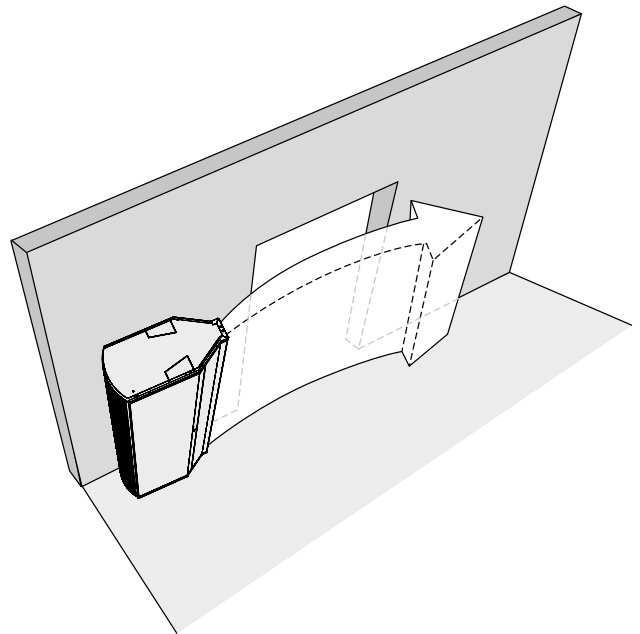
Before putting the air curtain into operation, check the following:

- Have any tools or other objects which could damage the air curtain been left inside it?
- Is there a proper supply of electricity and, if necessary, heating water?
- Has the air curtain been properly closed?
- Has the control panel been connected properly?

Use the initial start-up to check the basic equipment operation (fan movement, heat).

7.2 SET AIR FLOW DIRECTION

This is set by tilting the air curtain's fan louvers in the desired direction.



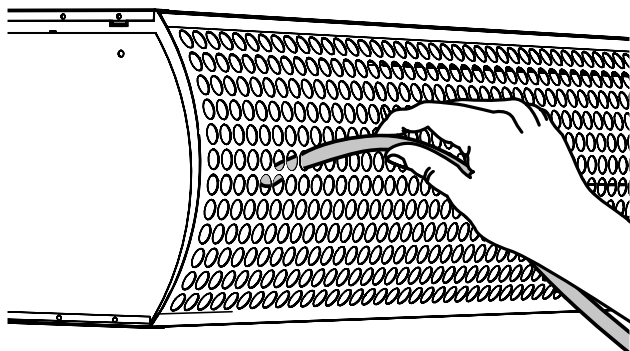
7. MAINTENANCE



Never reach inside the air curtain unless the main electrical current has been turned off! The air curtain must be allowed to cool!

CLEANING

- Use of compressed air, chemicals, solvents and water is strictly prohibited when cleaning the air curtain.



- Use a soft brush or vacuum cleaner to clean the interior of the air curtain.

8 SAFETY ELEMENTS

8.1 Preventing the electric heater from overheating

If the electric heater overheats, the safety thermostat will shut it off. The electric heater will go back on automatically after cooling.

If the safety thermostat fails or malfunctions, the emergency thermostat will go on and turn the heater off permanently. The heaters of all other air curtains will remain in operation.

- When the emergency thermostat activates, it is necessary to determine the cause of the overheating!
- **Never reach inside the air curtain unless the main electrical supply has been turned off!**

8.2 Preventing the fan from overheating

If any motor is overheated and the heat safety fuse shuts it off, the other motors remain in operation. After cooling, the motor will automatically go back on.



- When a motor shuts off, it is necessary to determine the cause of the failure!
- **Never reach inside the air curtain unless the main electrical supply has been turned off!**

9. END OF SERVICE LIFE – DISPOSAL

Before disposing of the product, render it unusable.

Even old products contain raw materials that can be reused. Dispose of these at a raw material collection site.

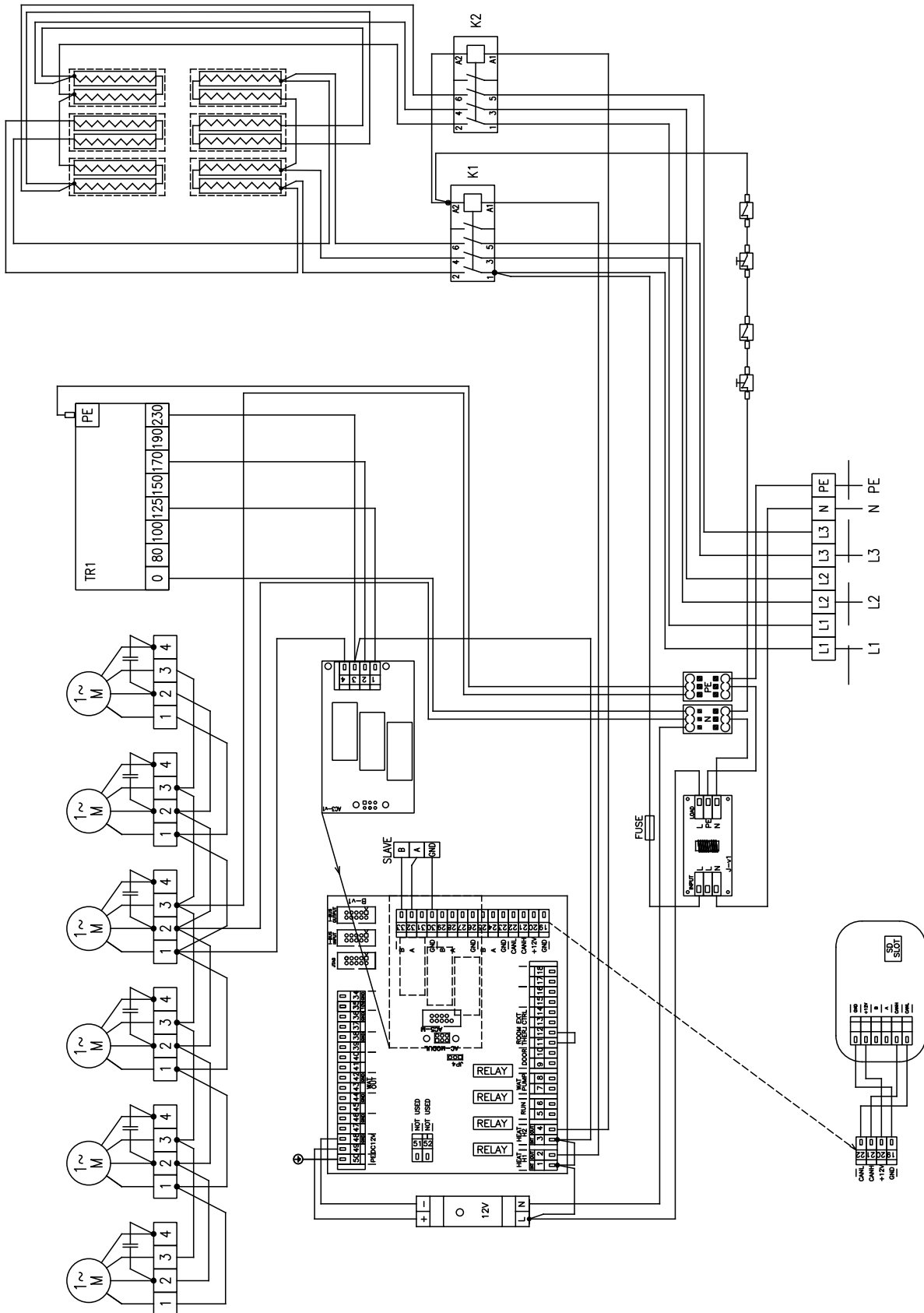
It is best to dispose of a product at a specialised location that salvages recyclable materials for reuse. Dispose of the product's unusable parts at a managed landfill.



When disposing of materials, it is mandatory to follow the applicable national regulations on waste disposal.

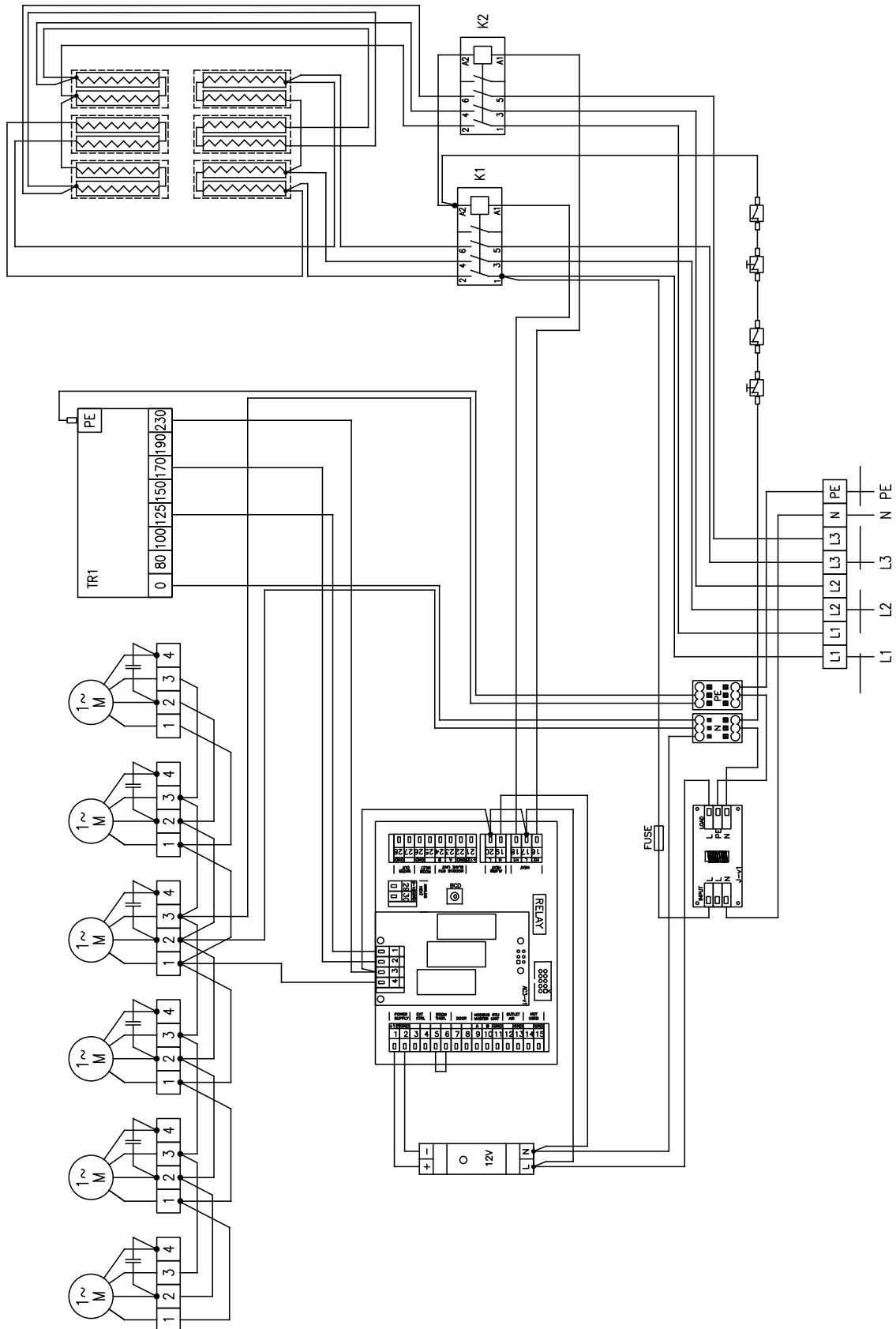
10. WIRING DIAGRAMS

Air Genio COMFORT MASTER + VCV-B-25E-CO-x-x



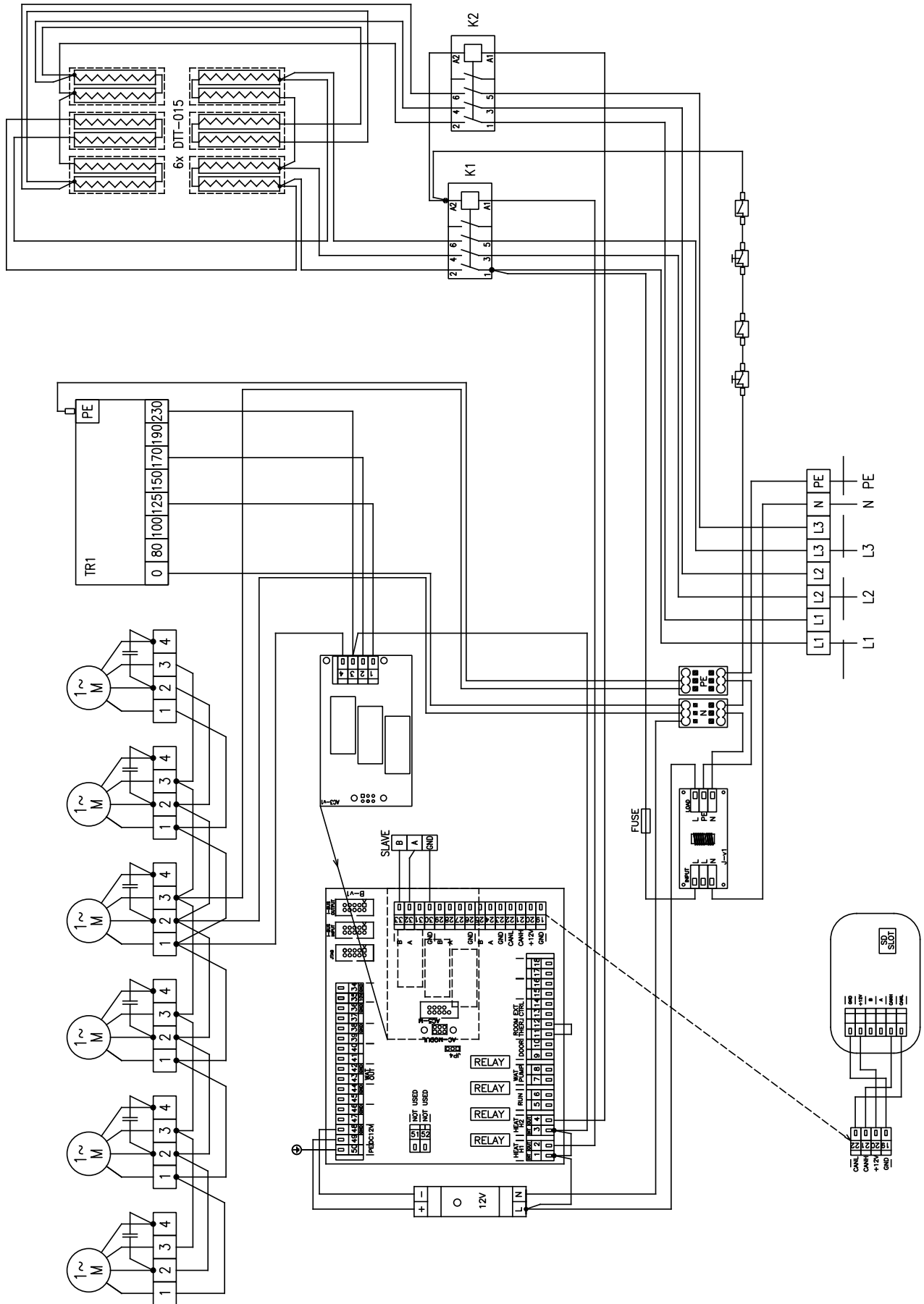
10. WIRING DIAGRAMS

Air Genio COMFORT SLAVE + VCV-B-25E-CS-x-x



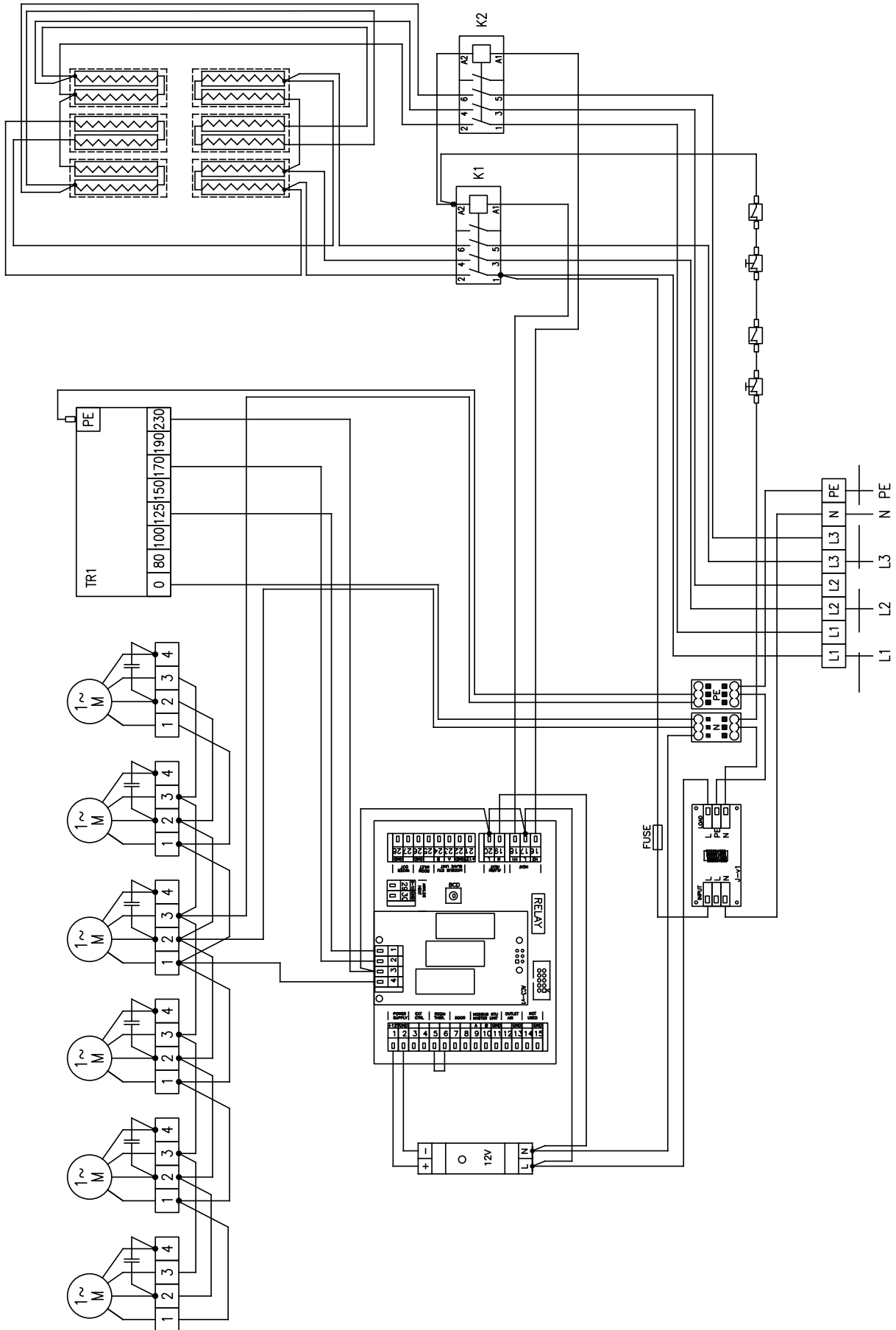
10. WIRING DIAGRAMS

Air Genio COMFORT MASTER + VCV-B-25F-CO-x-x



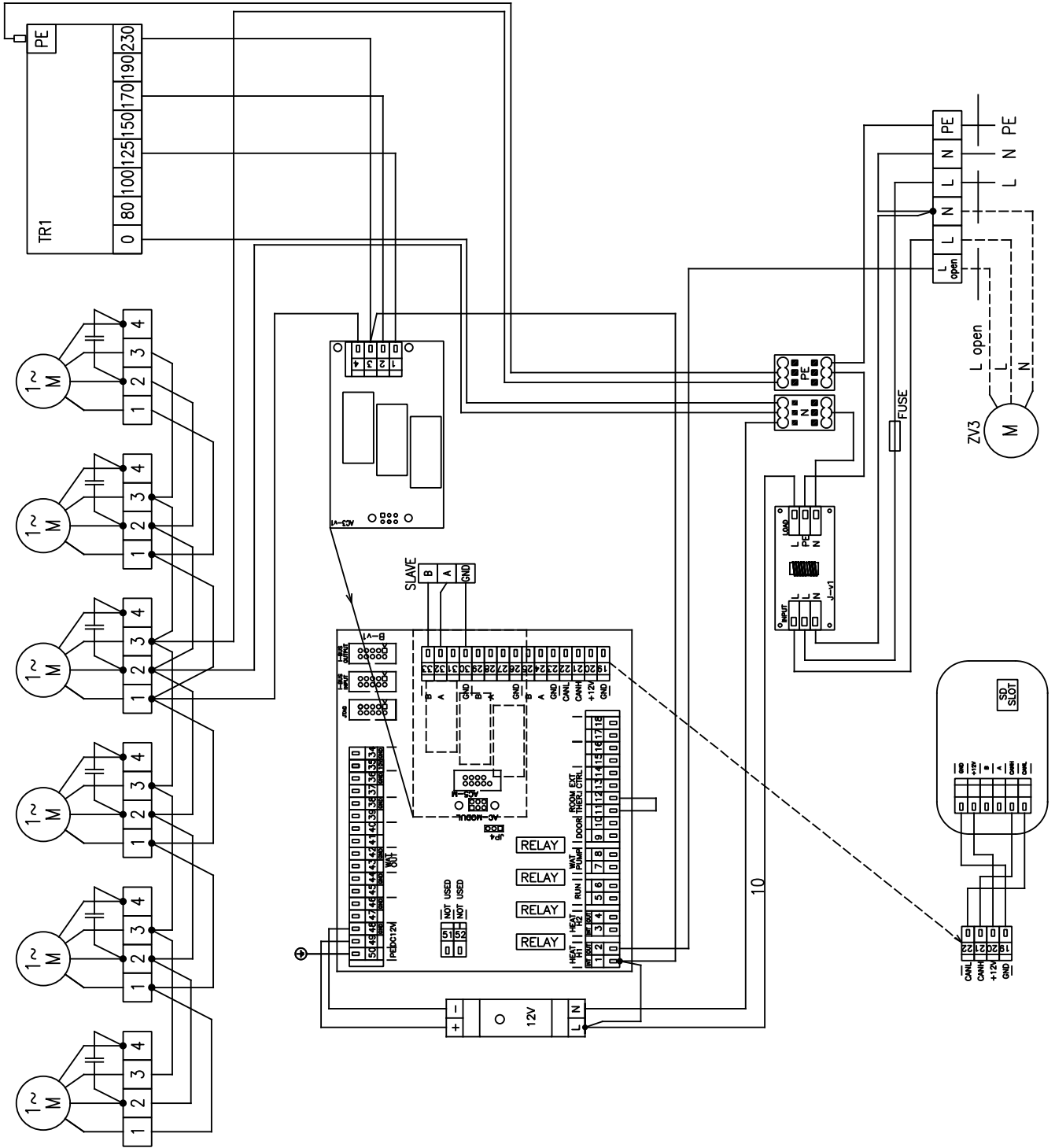
10. WIRING DIAGRAMS

Air Genio COMFORT SLAVE + VCV-B-25F-CS-x-x



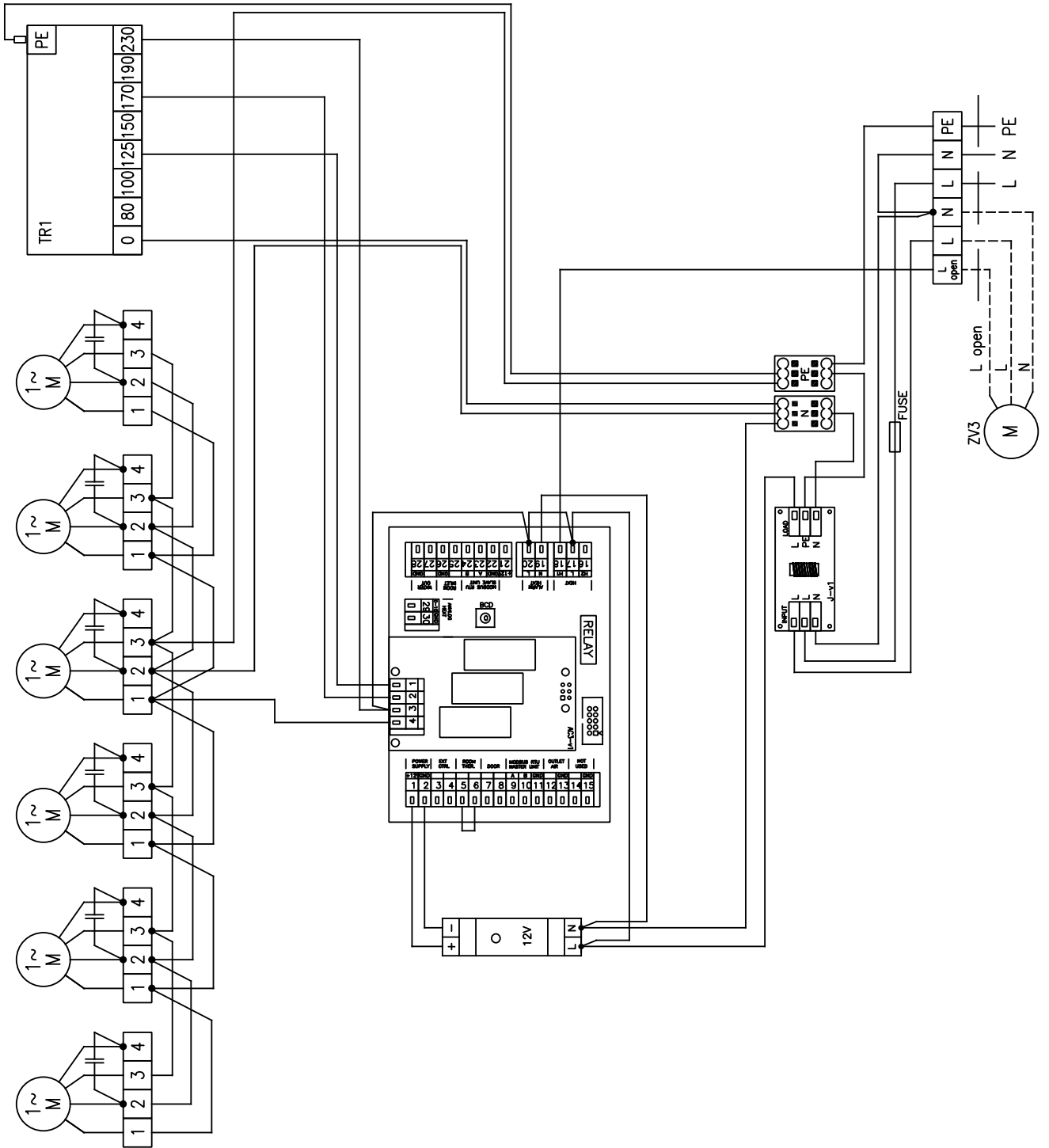
10. WIRING DIAGRAMS

Air Genio COMFORT MASTER + VCV-B-25W-CO-x-x



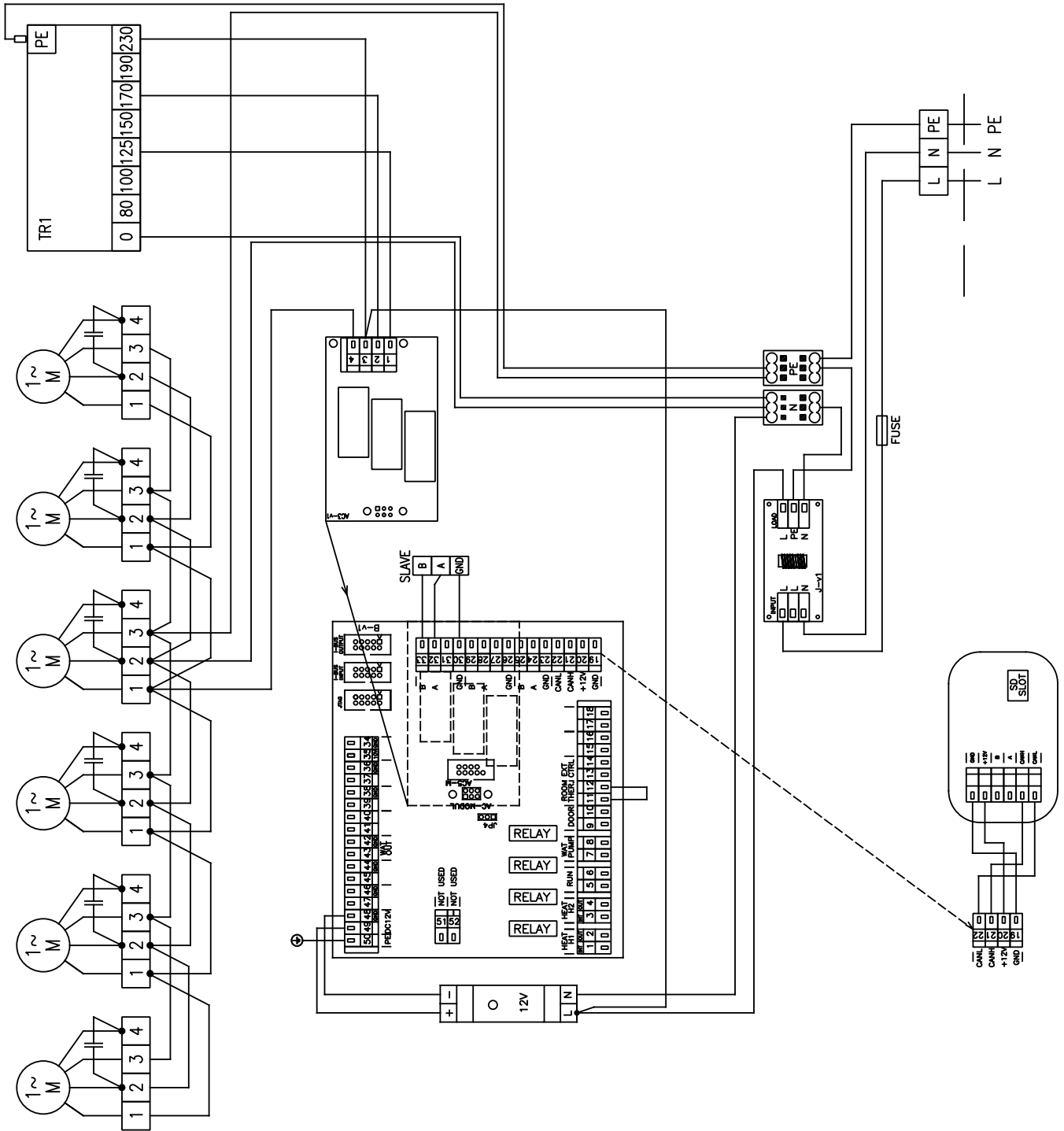
10. WIRING DIAGRAMS

Air Genio COMFORT SLAVE + VCV-B-25W-CS-x-x



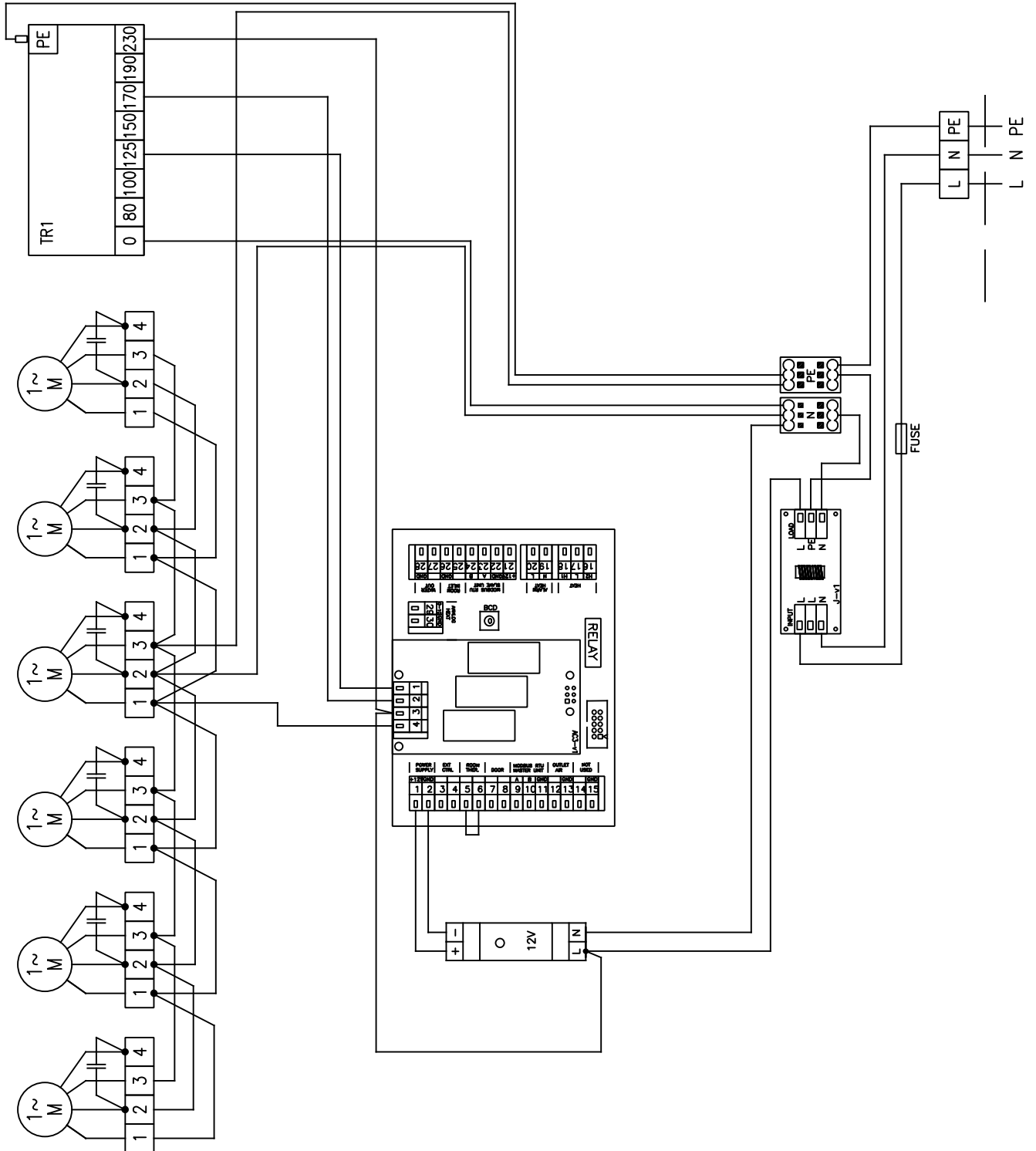
10. WIRING DIAGRAMS

Air Genio COMFORT MASTER + VCV-B-25S-CO-x-x



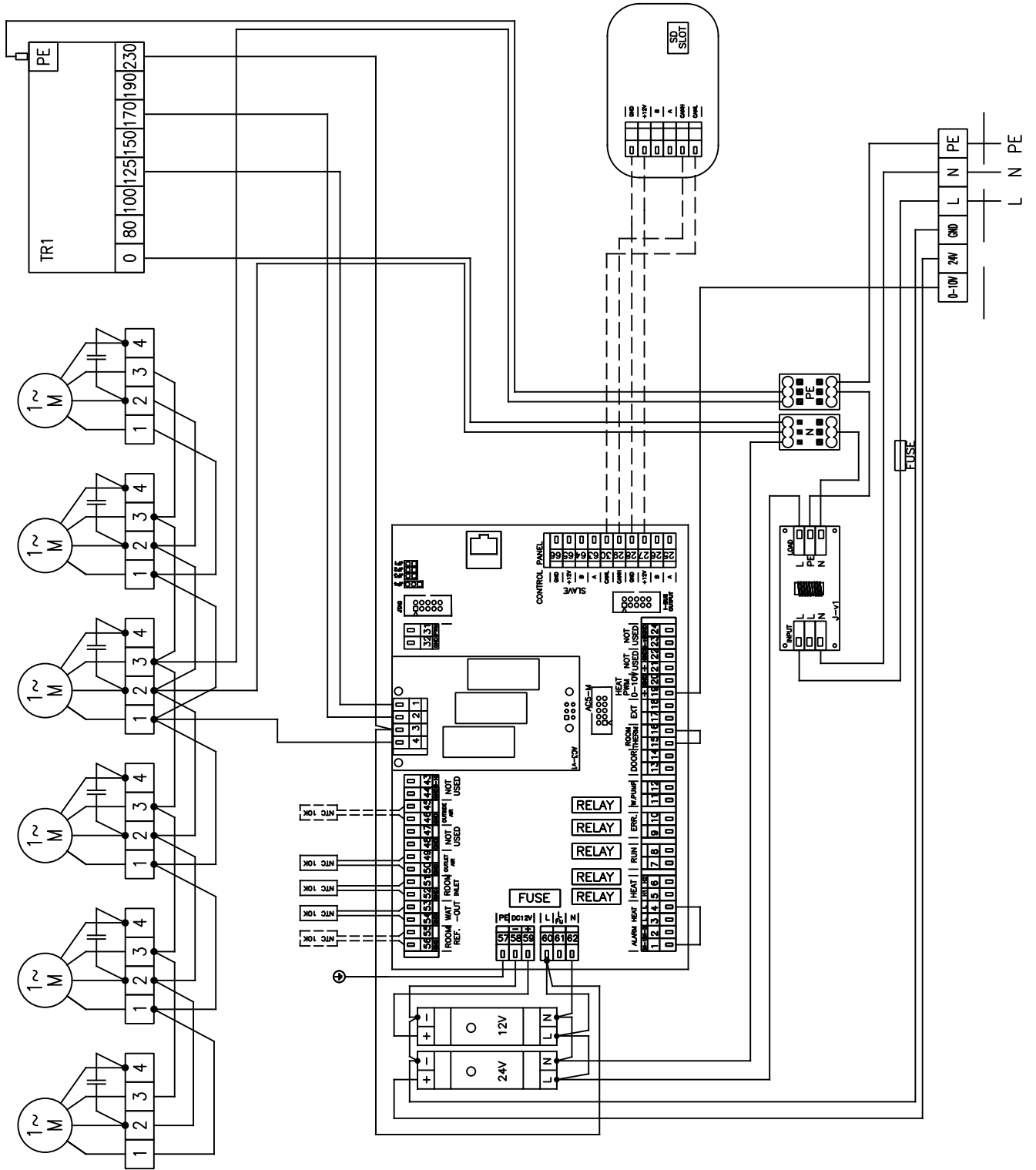
10. WIRING DIAGRAMS

Air Genio COMFORT SLAVE + VCV-B-25S-CS-x-x



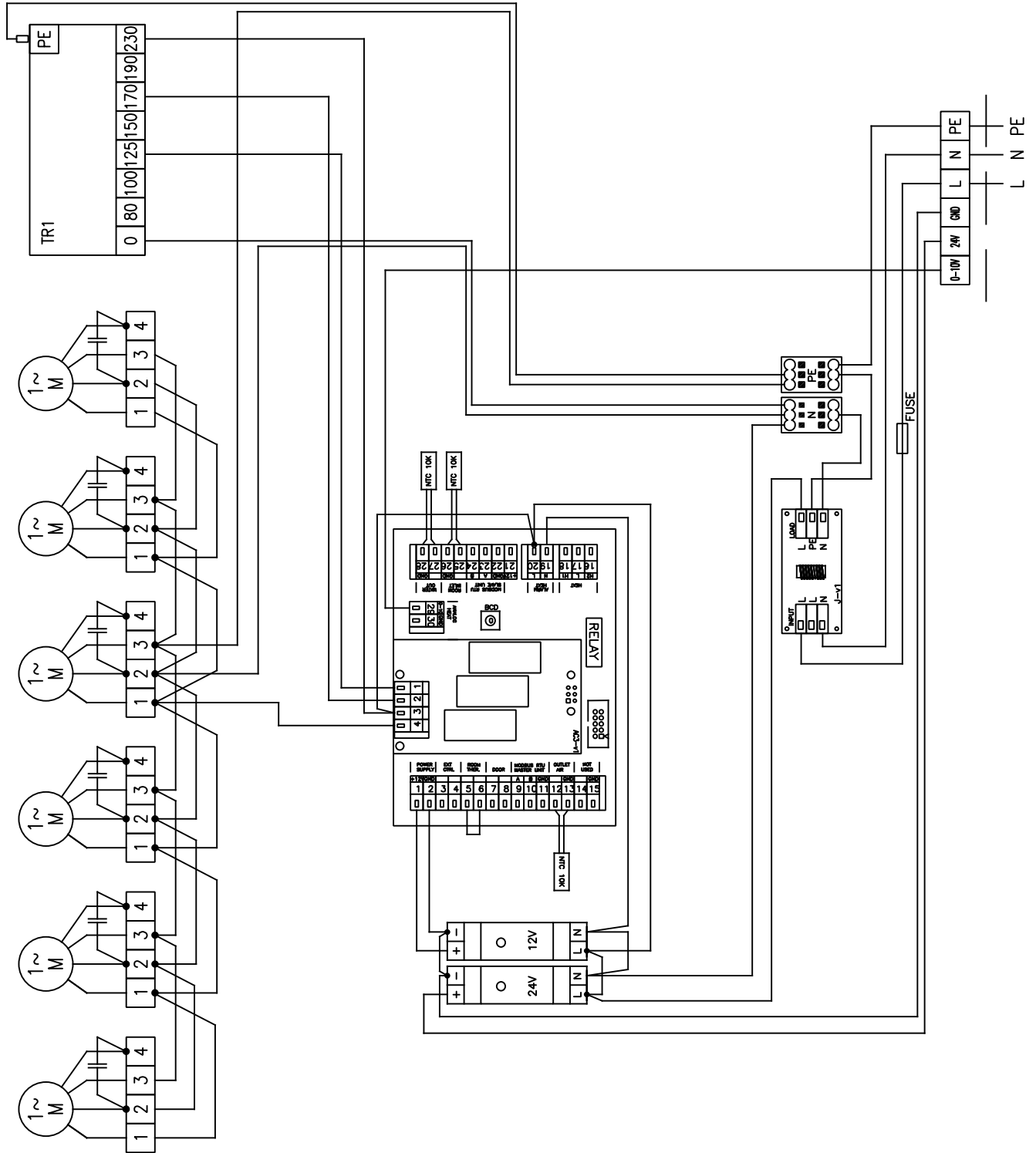
10. WIRING DIAGRAMS

Air Genio SUPERIOR MASTER + VCV-B-25W-SU-x-x



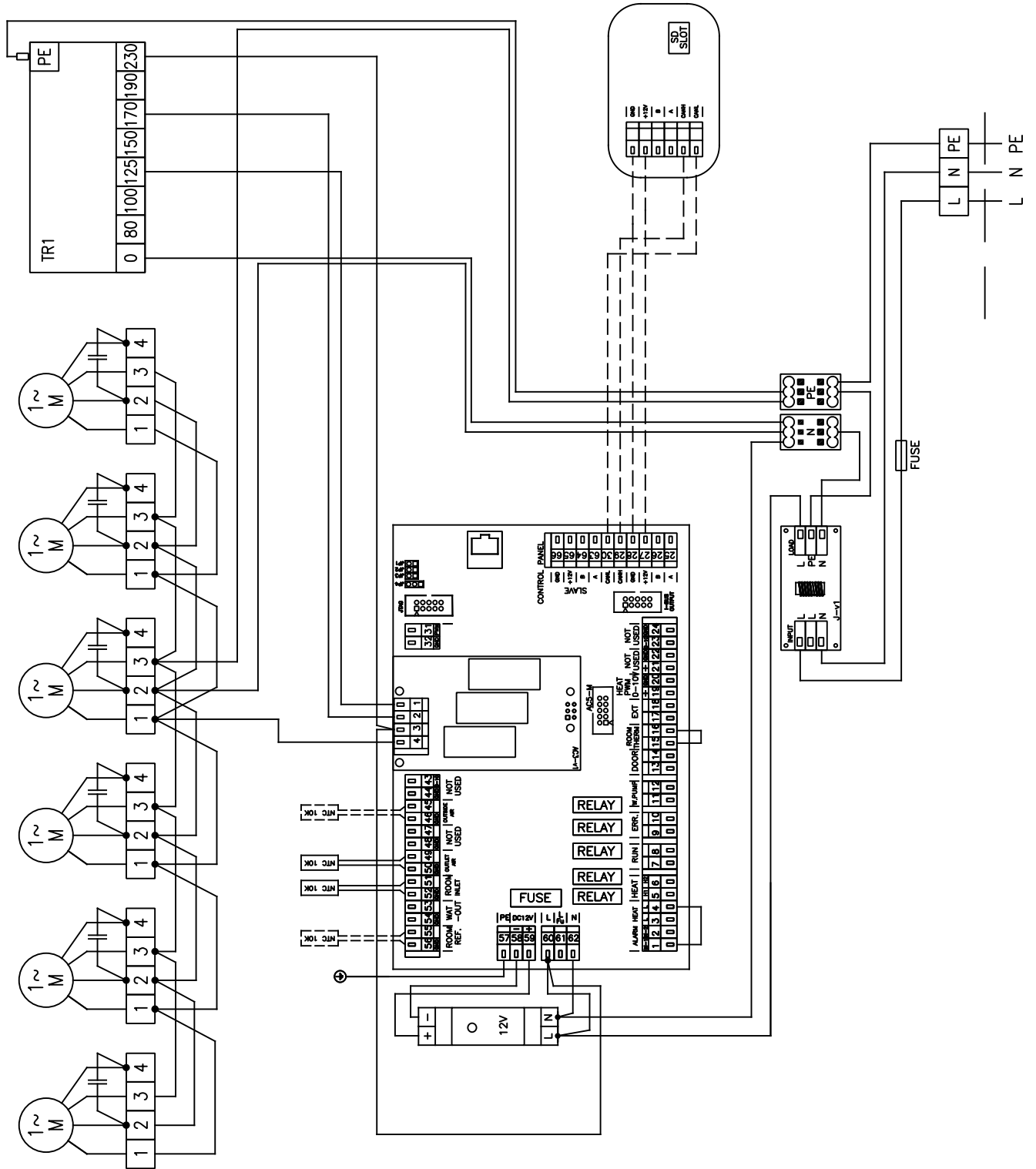
10. WIRING DIAGRAMS

Air GenioSUPERIOR SLAVE + VCV-B-25W-SS-x-x



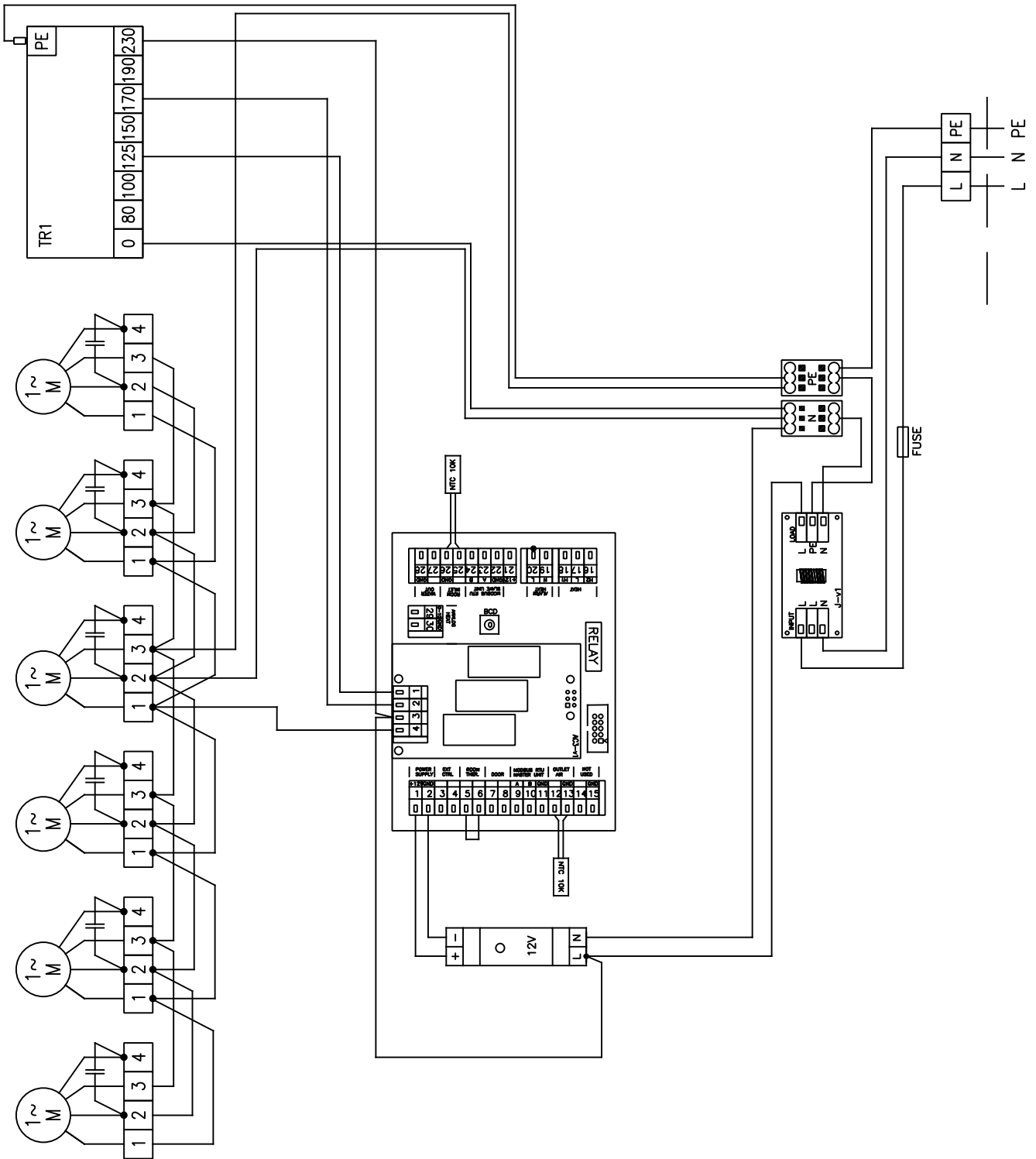
10. WIRING DIAGRAMS

Air Genio SUPERIOR MASTER + VCV-B-25S-SU-x-x



10. WIRING DIAGRAMS

Air GenioSUPERIOR SLAVE + VCV-B-25S-SS-x-x



10. CONCLUSION

After installing the air curtain, thoroughly read the VENESSE Air curtain operation and maintenance guide, as well as the Guide to air curtain safety.

If you have any doubts or questions, do not hesitate to contact our sales or technical support department.

CONTACT

Address

2VV, s.r.o.,
Fáblůvka 568,
533 52 Pardubice,
Czech Republic

Internet :

<http://www.2vv.cz/>

