



Option available

The Kool comprises a powder coated steel case containing double inlet fans. Ambient air is drawn in through a perforated steel mesh at the front of the unit and delivered across the doorway via adjustable lamella.

This unit provides a tight ambient air seal across the opening of refrigerated stores and freezers to prevent cold air from escaping and warm air from entering. This reduces operating costs by saving energy and improves the temperature and performance of the store.

By removing the need for fast acting shutter doors and plastic strip curtains, forklift drivers and staff are given total visibility through the entrance.

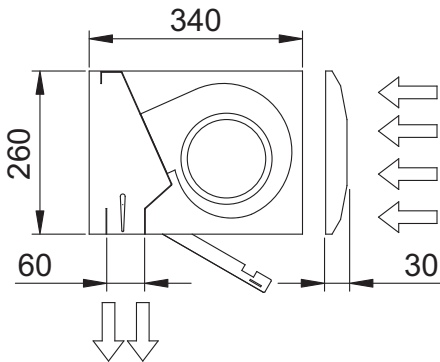
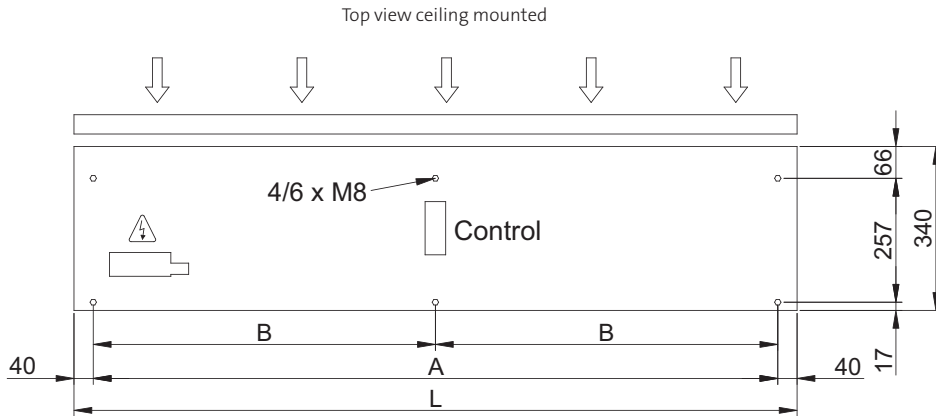
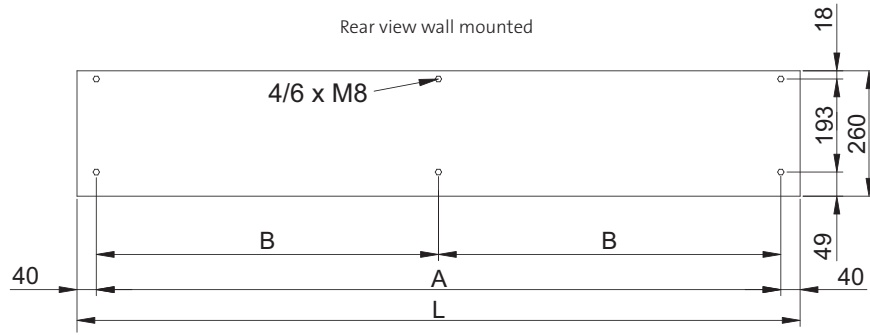
A standard manual controller, 7 metres of control cable and an IR handheld remote are included. IP55 options available.

COLOURS AVAILABLE White RAL9016 (standard) Any RAL colour Brushed stainless steel	MOUNTING OPTIONS Horizontal Vertical	MAX DOOR HEIGHT 4.2m	FAN OPTIONS AC fan (standard) EC fan (option)	HEATING OPTIONS Air only	LENGTHS AVAILABLE 1.0m 2.5m 1.5m 3.0m 2.0m
---	---	--------------------------------	--	------------------------------------	--

Air only

Model	Max mounting height m	Airflow m³/h	Power/current fans 230V-50Hz kW/A	Noise Level (@5m) dB(A)	Weight kg
KM 1000 A	3.5	1800	0.212 / 0.94	55	29
KM 1500 A	3.5	2700	0.318 / 1.41	56	44
KM 2000 A	3.5	3600	0.424 / 1.88	57	53
KM 2500 A	3.5	4500	0.530 / 2.35	58	58
KM 3000 A	3.5	5400	0.636 / 2.82	59	76
KECM 1000 A	3.5	1840	0.142 / 1.24	56	33
KECM 1500 A	3.5	2760	0.213 / 1.86	57	50
KECM 2000 A	3.5	3680	0.284 / 2.48	58	61
KECM 2500 A	3.5	4600	0.355 / 3.10	59	68
KECM 3000 A	3.5	5520	0.426 / 3.72	60	76
KG 1000 A	3.8	2400	0.642 / 2.85	57	37
KG 1500 A	3.8	3200	0.856 / 3.80	58	55
KG 2000 A	3.8	4800	1.284 / 5.70	59	71
KG 2500 A	3.8	5600	1.498 / 6.65	60	78
KG 3000 A	3.8	6400	1.712 / 7.60	61	86
KECG 1000 A	4.2	2700	0.225 / 1.95	61	37
KECG 1500 A	4.2	3600	0.300 / 2.60	62	56
KECG 2000 A	4.2	5400	0.450 / 3.90	63	71
KECG 2500 A	4.2	6300	0.525 / 4.55	64	78
KECG 3000 A	4.2	7200	0.600 / 5.20	65	86

Layouts and dimensions



L	A	B
1000	920	-
1500	1420	710
2000	1920	960
2500	2420	1210
3000	2920	1460