



Specially designed for insect control at entrances to food factories, industrial applications, hospitals or clean zones.

This unit creates a high velocity air barrier to prevent flying insects from entering a building. Up to 3.5m high doors can be covered according to NSF 37 standard. Self-supporting casing construction made of galvanised steel plate, finished in structural epoxy-polyester, white colour RAL9016 as standard. Other colours or stainless steel are available on request.

The large perforated inlet grille helps reduce maintenance requirements. Incorporates anodized aluminium outlet vanes, aerofoil shaped, adjustable from 0 to 15° each side to allow accurate control over direction of airflow. EC Double-inlet centrifugal fans driven by an external rotor motor with low noise level, very low power consumption and high efficiency fans. "A" type without heating, air only. Includes Plug & Play Hand Auto controller with 7m RJ45 cable and magnetic door contact.

COLOURS AVAILABLE

White RAL9016 (standard)
Any RAL colour
Stainless steel

MOUNTING OPTIONS

Horizontal

MAX DOOR HEIGHT

3.5m

FAN OPTIONS

EC fan

HEATING OPTIONS

Air only

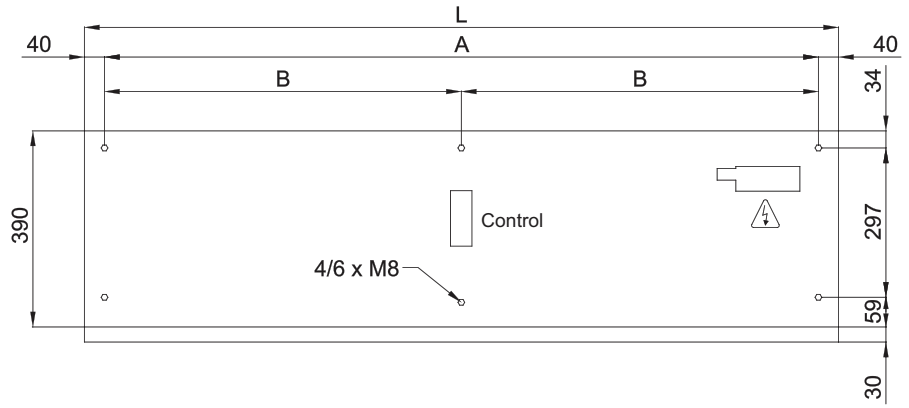
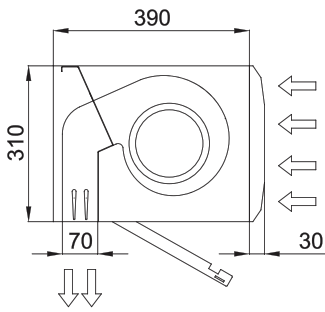
LENGTHS AVAILABLE

1.0m 2.5m
1.5m 3.0m
2.0m

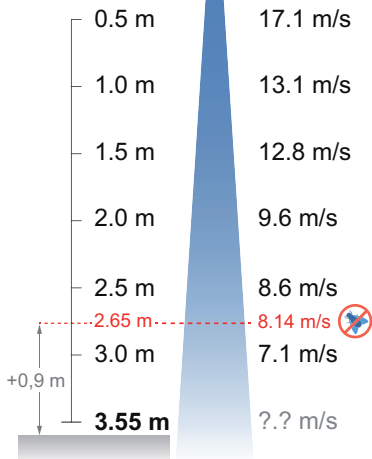
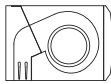
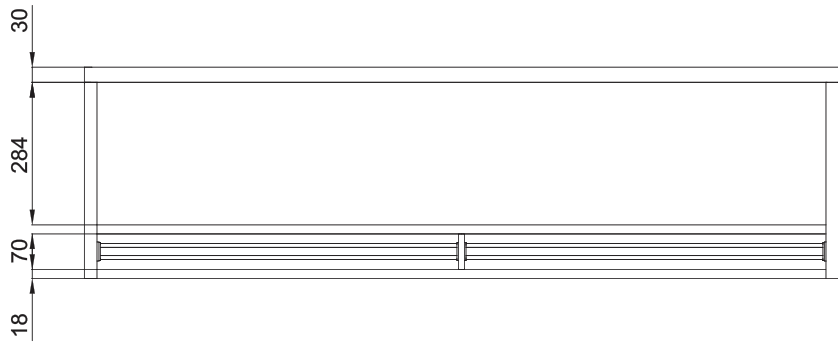
Air only

Model	Max mounting height m	Airflow m ³ /h	Power/current fans kW/A	Noise level (@5m) dB(A)	Weight kg
FLY KBB 1000 A	3.5	3900	0.921/4.08	67	38
FLY KBB 1500 A	3.5	5200	1.228/5.44	67.5	62
FLY KBB 2000 A	3.5	7800	1.842/8.16	68	77
FLY KBB 2500 A	3.5	9100	2.149/9.52	68.5	93
FLY KBB 3000 A	3.5	10400	2.456/10.88	69	106

Tested to Amca 220-05



L	A	B
1000	920	-
1500	1420	710
2000	1920	960
2500	2420	1210
3000	2920	1460



According to standard NSF-37-2012, the maximum installation height is the speed profile point at 8.14m/s plus 0.9m. So FLY KBB can be used until 2.65m+0.9m=3.55m.