



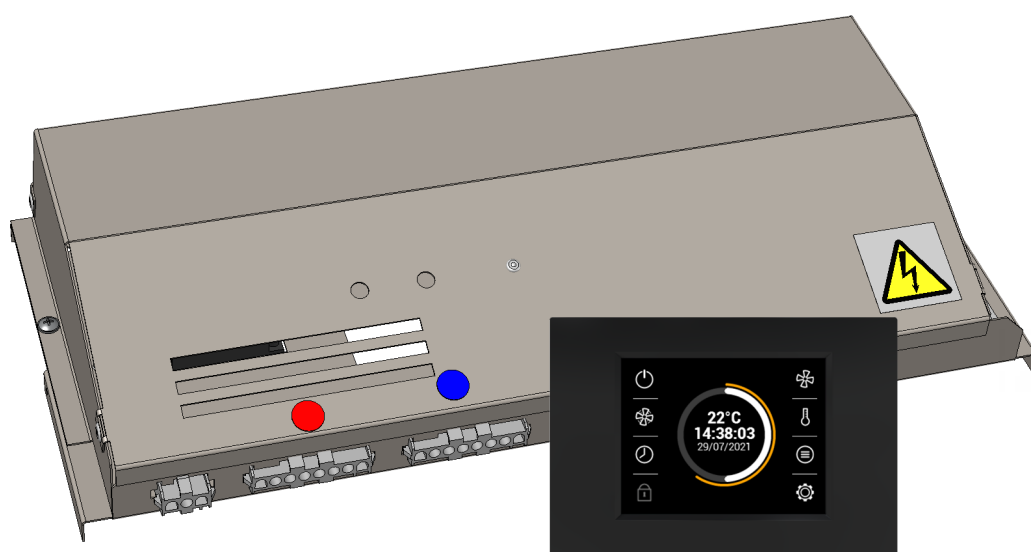
PARTNER
IN VENTILATION
2VV.CZ

EN

FINESSE/STANDESSE

AirGenio

COMFORT REGULACE EC



Installation instruction

CE

CONTROL THE DELIVERY

PLEASE NOTE

Check the product for damages immediately after delivery. In case of damage on the packaging, contact the carrier. Claims not filed in due time will be disregarded.

- Check that it corresponds to the type of product ordered. In case of discrepancy, do not unpack the product and contact the vendor.
- After unpacking, check that the product and all the other components are in good order. In case of doubt, contact the vendor.
- Do not install a damaged unit!
- If you will not unpack the product immediately after delivery, store it indoors, in a dry place with ambient temperatures between **+5 °C and +40 °C**.



	All the packaging material is environmentally friendly and can be reused or recycled. Contribute actively to the protection of the environment and ensure the proper disposal or recycling of the packaging materials.	
--	--	--

PLEASE NOTE

- If the unit was transported in temperatures lower than 0°C, after unpacking, leave it in operational conditions for at least two hours without activating in order to compensate the inner temperature.

INSTALLATION

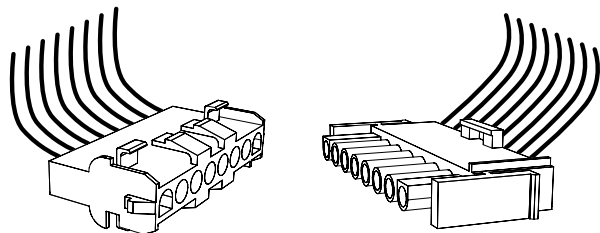
CONTROL MODULE

Air curtains FINESSE are produced with universal connection interface.

Air curtains FINESSE can be controlled by one of following control modules: BASIC, COMFORT, SUPERIOR.

Control modules are required accessories and has to be orderot separately.

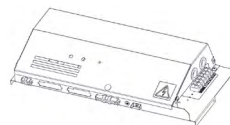
Air curtain is connected with control module by „Quick connection sockets“



PACKAGE CONTENTS

COMFORT MASTER

1x



1x



1x



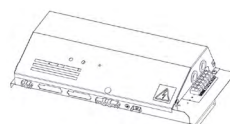
VCST4-AGCO1-M-EC-E2/S0/VC

2x



COMFORT SLAVE

1x



1x



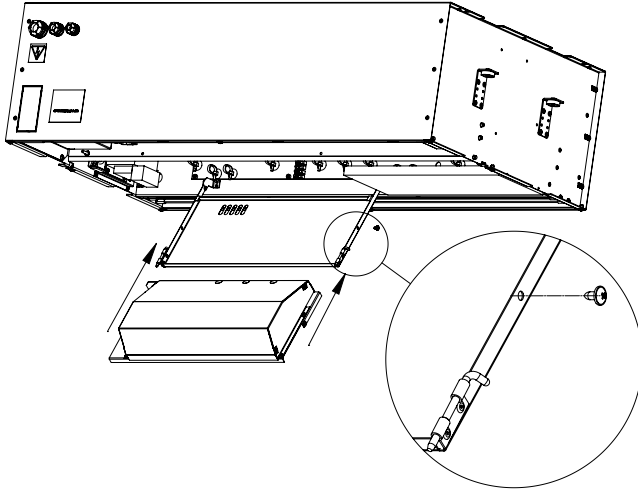
VCST4-AGCO1-S-EC-E2/S0/VC



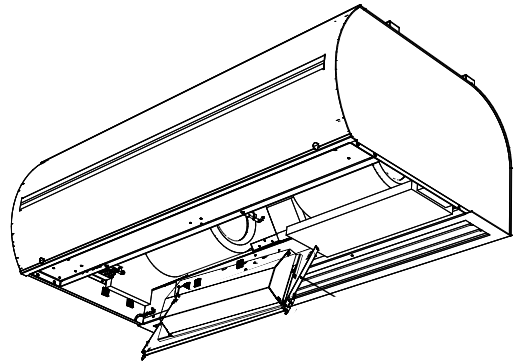
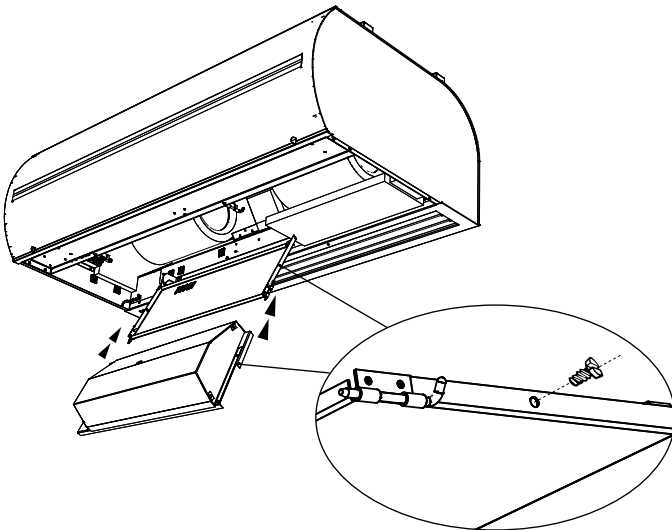
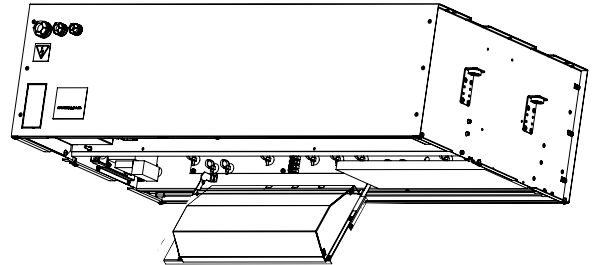
INSTALLATION

INSERT CONTROL MODULE TO THE AIR CURTAIN

1



2

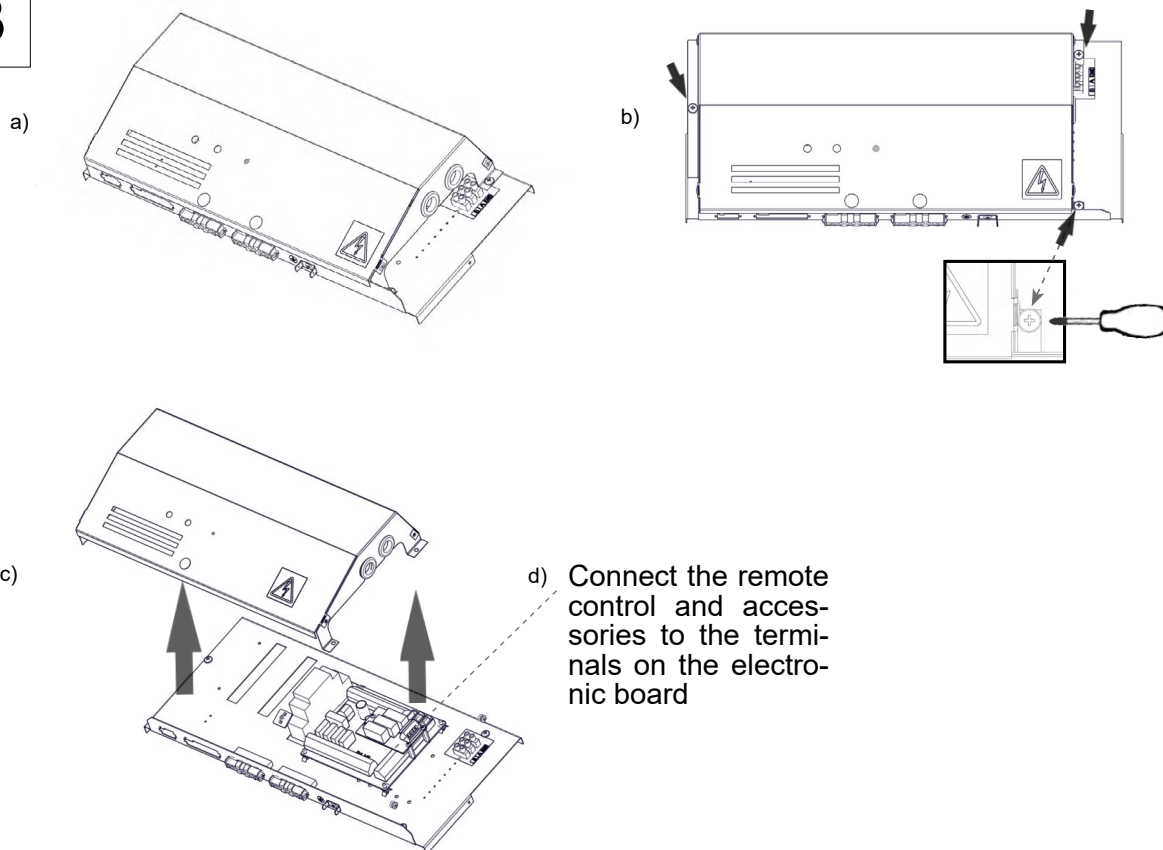




INSTALLATION

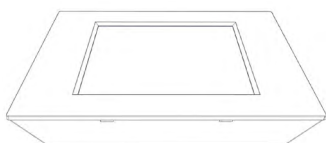
Connection to the regulation control panel and accessories

3

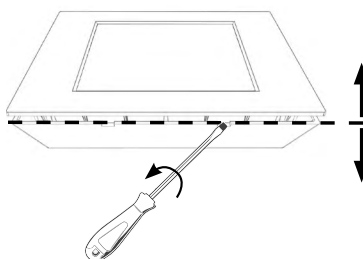


CONNECTING THE CONTROL

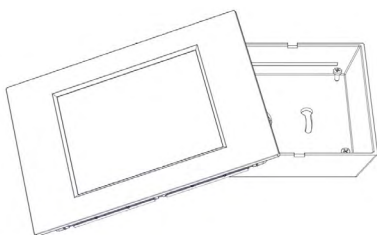
1.



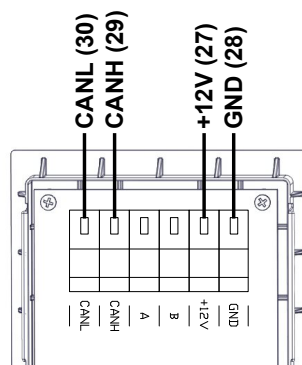
2.



3.

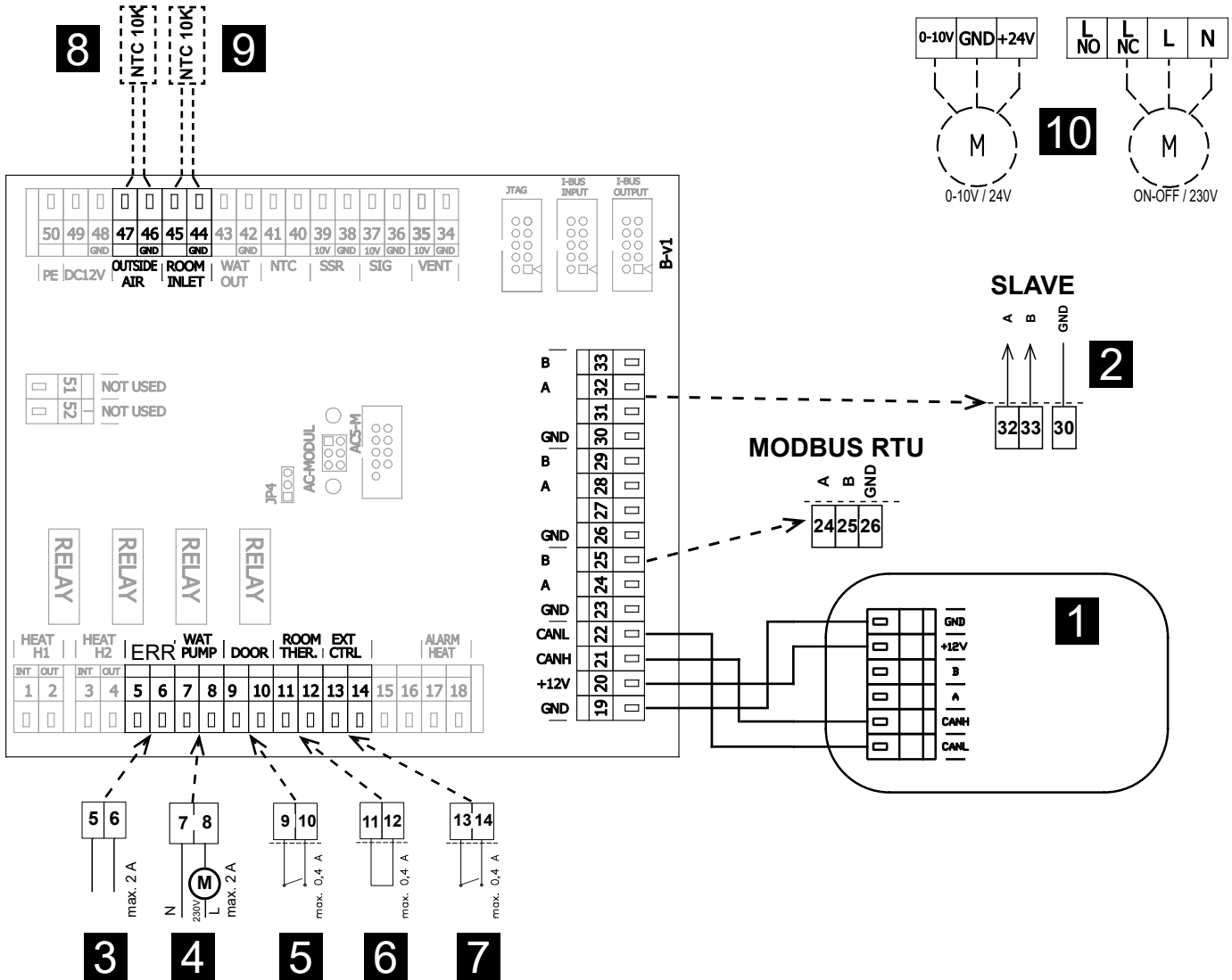
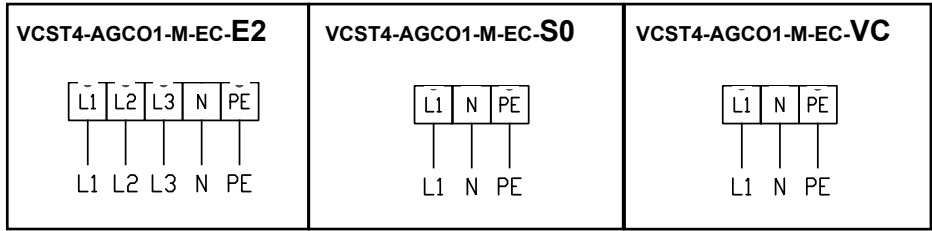


4.



EXTERNAL ACCESSORIES

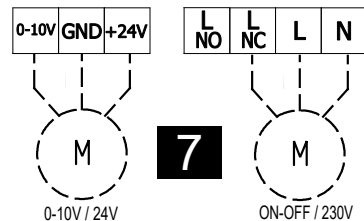
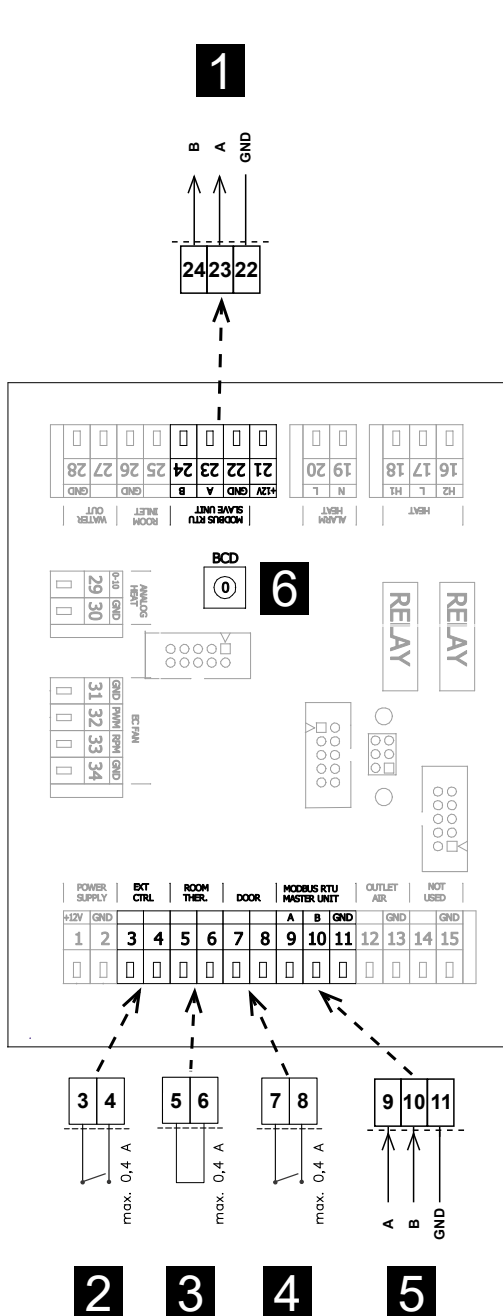
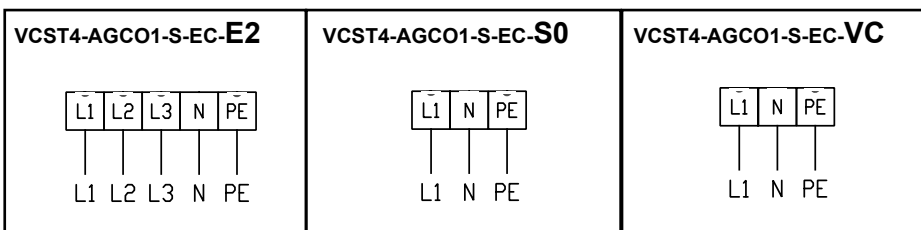
AirGENIO COMFORT MASTER



1	Control panel
2	Connection for SLAVE unit
3	ERROR contact (relay NO/NC)
4	Water pump (relay)
5	DOOR contact (input, NO/NC)
6	Thermostat (input, NO/NC)
7	External control (input, ON/OFF)
8	Outside air (include delivery)
9	Room sensor (include delivery)
10	Water valve connection (ON-OFF, or 0-10V)

EXTERNAL ACCESSORIES

AirGENIO COMFORT SLAVE



1	Signal to SLAVE unit
2	External control - ON/OFF
3	Room thermostat (input)
4	DOOR contact (vstup, NO/NC)
5	Control signal from MASTER unit
6	Adres for slave unit
7	Water valve connection (ON-OFF, or 0-10V)

SLAVE	BCD
1	1
2	2
3	3
4	4
5	5
6	6
7	7
8	8
9	9
10	A



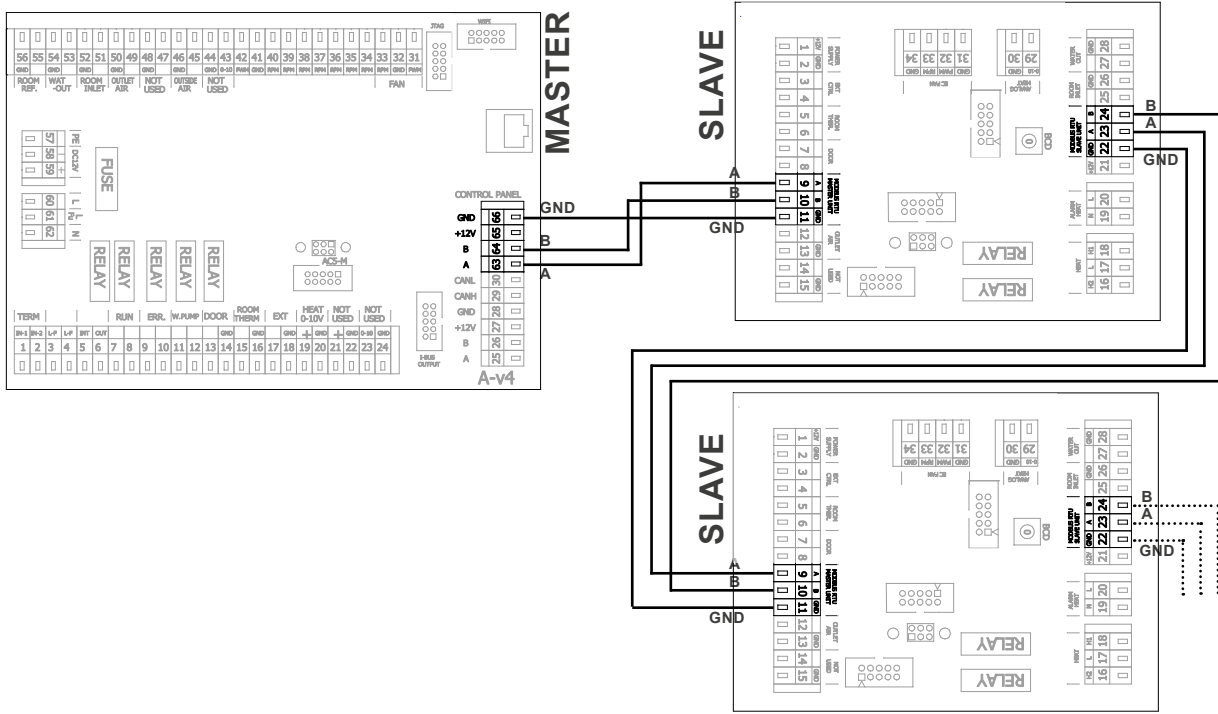
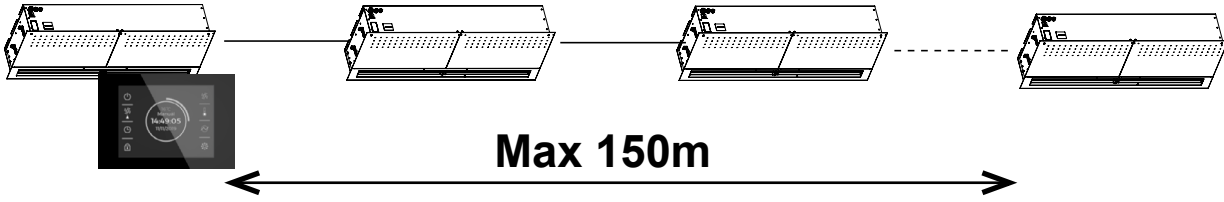
ELECTRICAL DIAGRAMS CHAINING

MASTER

SLAVE no.1

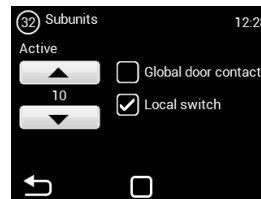
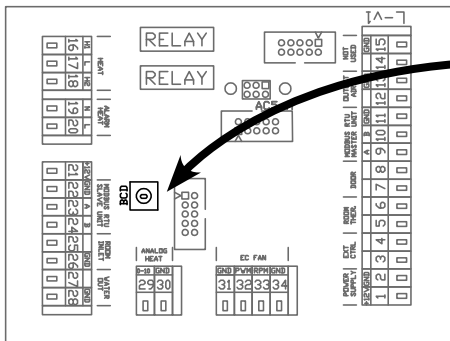
SLAVE no.2

SLAVE no.10



THE TOTAL LENGTH OF CHAINED CURTAINS MUST NOT EXCEED A LENGTH OF 150M !!!

SLAVE



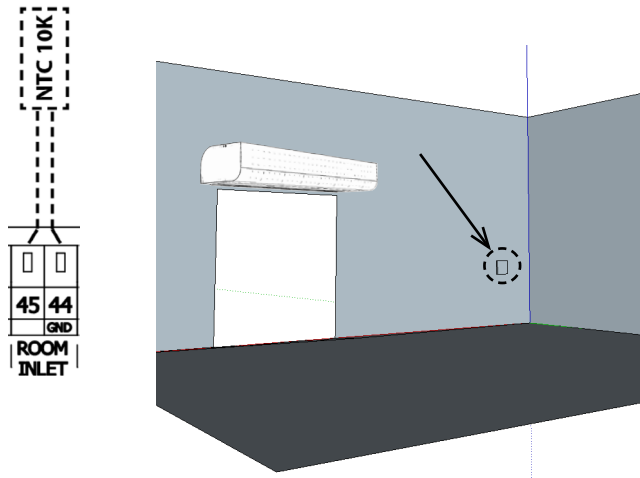
SLAVE	BCD	SLAVE	BCD
NO.1	1	NO. 6	6
NO.2	2	NO. 7	7
NO. 3	3	NO. 8	8
NO. 4	4	NO. 9	9
NO. 5	5	NO. 10	A



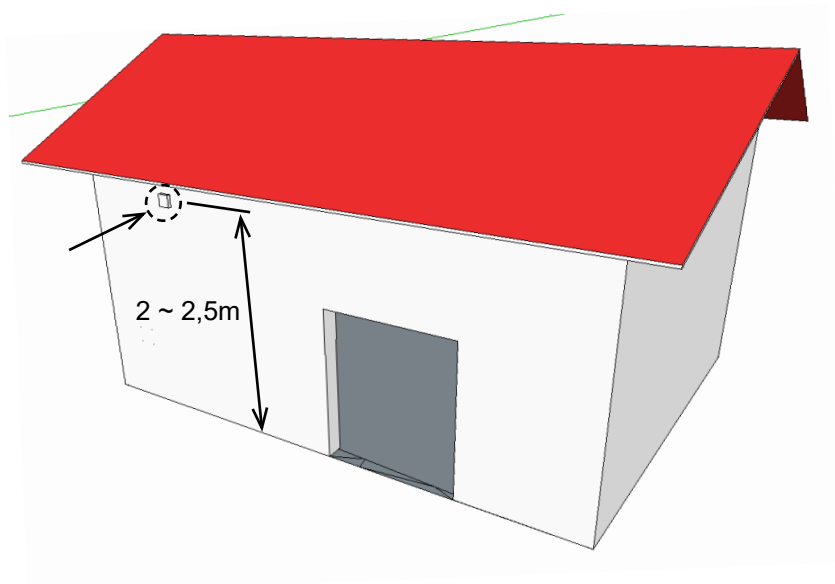
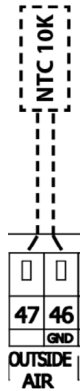
INSTALLATION

Location of temperature sensors

room temperature sensor



outdoor temperature sensor



	<p>It is recommended to install the outdoor temperature sensor on the north side of the building, protected from direct sunlight or other unwanted heat radiation.</p>
	<p>It is recommended to install the temperature sensor in a cover box, which should contain a small hole for better results.</p>



CONNECTING EXTERNAL ACCESSORIES



PLEASE NOTE

- The unit must be disconnected from the power supply to connect accessories.
- All external control components must be connected according to the wiring diagram.

DS door contact



TECHNICAL INFORMATION

- suitable for all SM regulation
- Isolated switching contact with maximum voltage 230V, 6A
- IP67, can be connected as a break or switching contact



CAUTION!

Not included with the product.



DK-B3 door contact



TECHNICAL INFORMATION

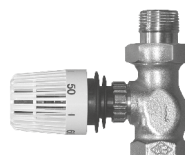
- Isolated switching contact with maximum voltage 12V.

Cable - Two-core cable with a cross section of 0,5 mm². - Maximum length: 50 m



ATTENTION!

Not included with the product.



Thermostatic valve – TV1/1



TECHNICAL INFORMATION

- Thermostatic valve to regulate the water exchanger
- Suitable for all types of curtain with water exchanger
- Works independent to the electronic controls



CAUTION!

Not included with the product.



Zone valve ZV-3 / RT-3-xx



TECHNICAL INFORMATION

- Zone valve to regulate the water exchanger
- **Cable** - Three-core cable with a cross-section of 1.5 mm², 230 V/ 50 Hz.



CAUTION!

Not included with the product.

COMMISSIONING



PLEASE NOTE

Before starting up the unit, check the following:

- Did you leave inside tools or objects that could damage the unit?
- Is the supply of energy and heating water (if applicable) adequate?
- Is the unit well closed?
- Is the control module properly connected?
- Does the unit have adequate protection according to the applicable standards?
- That the installation complies with all the instructions herein,
- That no tool or any other object that may damage the unit remains within.



ATTENTION!

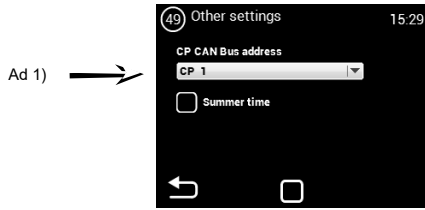
- Interventions or changes to the internal connections are forbidden and shall result in the loss of warranty.
- We recommend the use of accessories supplied by our company. Contact your supplier in case of doubts regarding the use of non-original accessories.



CONTROL PANELS

Sets the CAN address of the control panel so up to 2 control panels may be connected to the MASTER regulator
 Options: CP 1 = control panel's address is 1
 CP 2 = control panel's address is 2

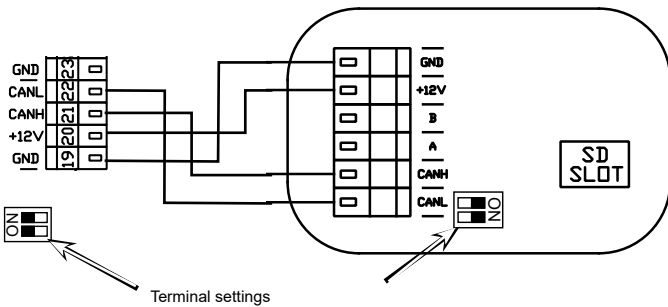
Use this menu to set the remaining parameters



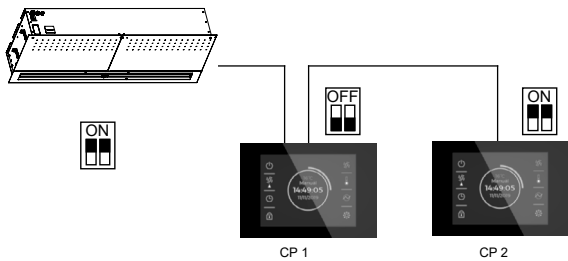
! ATTENTION!

Each panel must have its own address, otherwise it may result in the malfunction of the regulator.

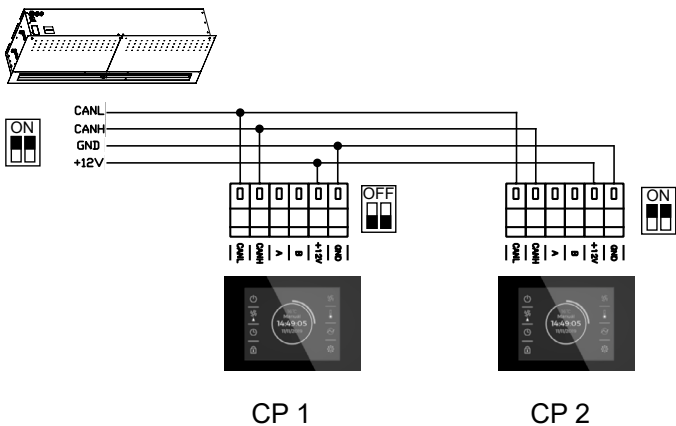
Terminals must be set if multiple panels are to be connected. They are found in the main electronics and the controller:



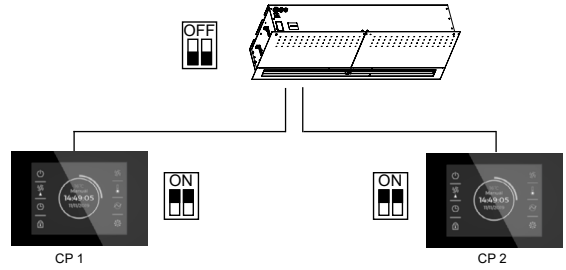
Example of controller connection – Option 1:



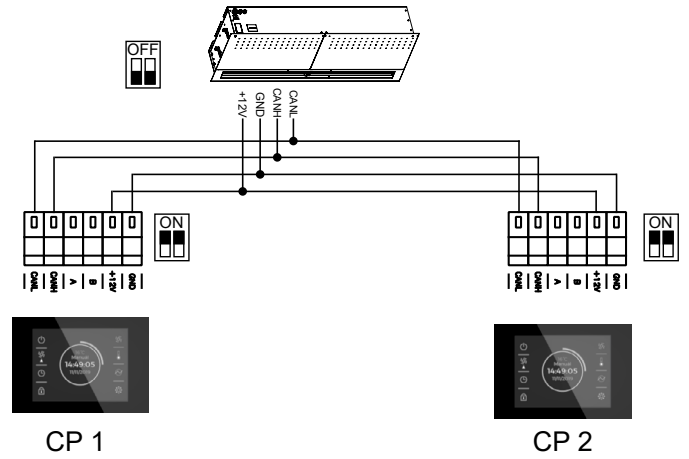
Electric connection – Option 1:



Electric connection – Option 2:



Electric connection – Option 2:



**PORUCHOVÉ STAVY****MALFUNCTIONS**

Disconnect the main power supply before any intervention to the unit. If you are not sure of the correct steps, do not attempt to perform any repairs and call a professional service!

Description	Unit behaviour	Likely problem	Solution
44 – Fan error	Unit out of order	Overheated fan or defect on thermal contact of inlet fan	Determine the cause of the overheating (defective bearing, short-circuit...) or replace the motor.
45 – Mandatory maintenance/filter clogged	Unit operational	Filter clogged or the time to replace it has come	Replace filters. After replacing, do not forget to reset the MENU 1616 – FILTER TIMER
46 – Heater malfunction	Unit out of order	Heater malfunction	Check the heater and the condition of the safety thermostat Does the heater have proper cooling? Check engine running.
65 – Communication error	Unit out of order	Communication error	Check the communication cable for damages and if it is properly connected Observe the wiring diagram to prevent occurrences that may disrupt communication (wiring near high tension, phenomena on site causing disruptions)
Unit's not working	Unit out of order	Power supply interrupted	Check that the power supply is not interrupted
		Cracked fuse	Check the fuse in side the control module
The heating switches off automatically	Unit operational but not heating	The heater overheats	The heater overheats due to insufficient air flow. Check that the ventilators are in good order and that the air supply is not disrupted.

 ATTENTION!

Switch off the main power supply before any intervention inside the unit. Let the unit cool!



MAINTENANCE

CLEANING

ATTENTION!

- Do not use compressed air, chemicals, solvents or water to clean the unit.
- Use a soft brush or a vacuum cleaner to clean the suction cover and the inside of the unit.
- See the installation manual of the ESSENSSE NEO curtain

SERVICE

IF YOU ARE UNABLE TO REPAIR THE UNIT

If you were unable to solve a problem, contact the supplier or the representative of 2VV. Warranty and post-warranty service are provided by the supplier or an authorised service included in the list available at the supplier's.

Give the following information to the supplier or service:

- **type designation of the air curtain**
- **accessories in use**
- **place of installation**
- **serial number**
- **conditions of the installation (incl. electrical)**
- **period of operation**
- **detailed description of the malfunction**

DECOMMISSIONING THE PRODUCT – LIQUIDATION

Before scrapping the product, make it unusable. Old products still have raw materials that can be reused. Take them to a collection centre for secondary raw materials. It is preferable to have the product liquidated by a specialist so that the recyclable materials may be reused. Take the unusable parts to an appropriate waste disposal site.

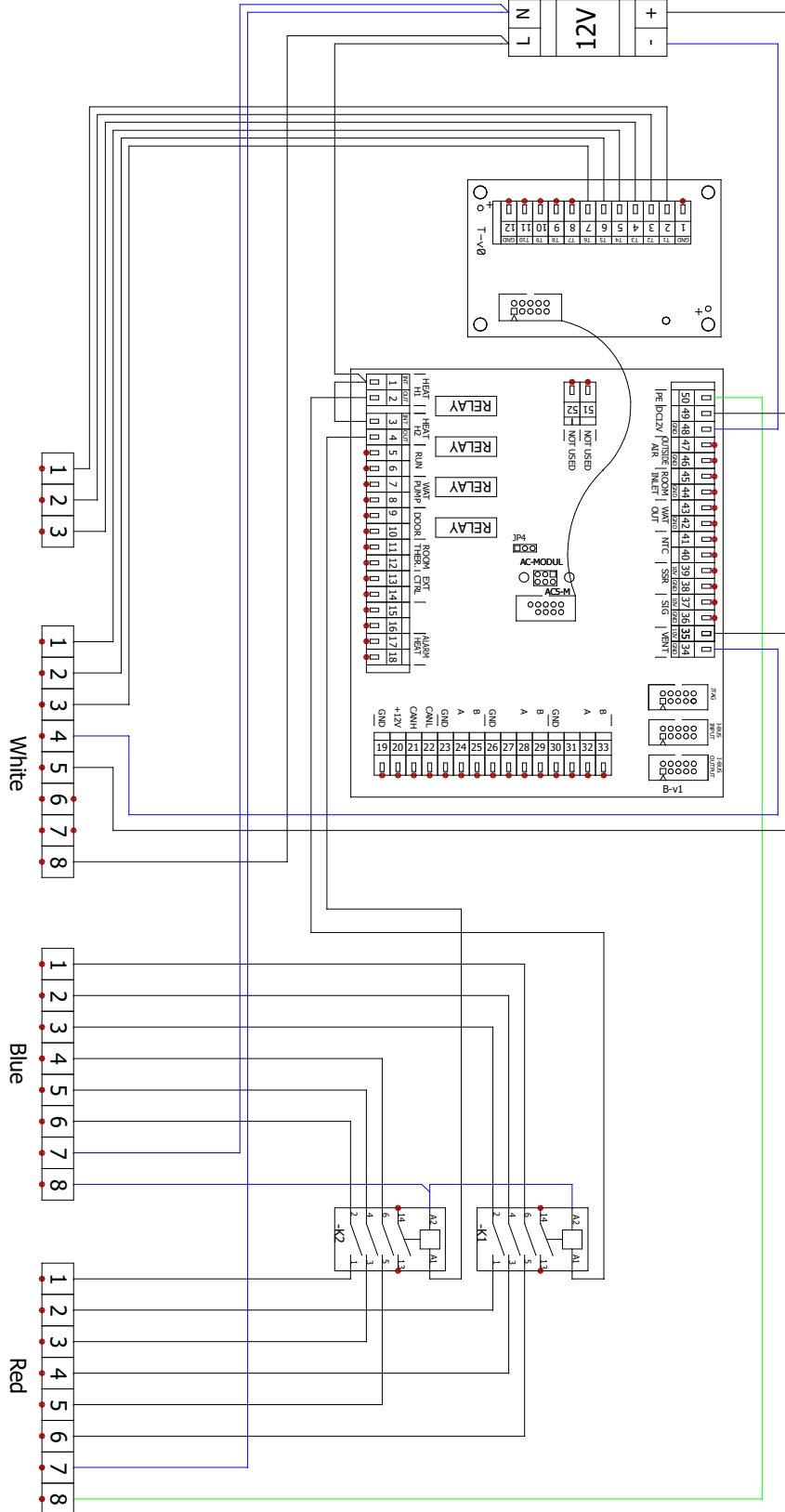


The liquidation of materials must observe the applicable waste management regulations.

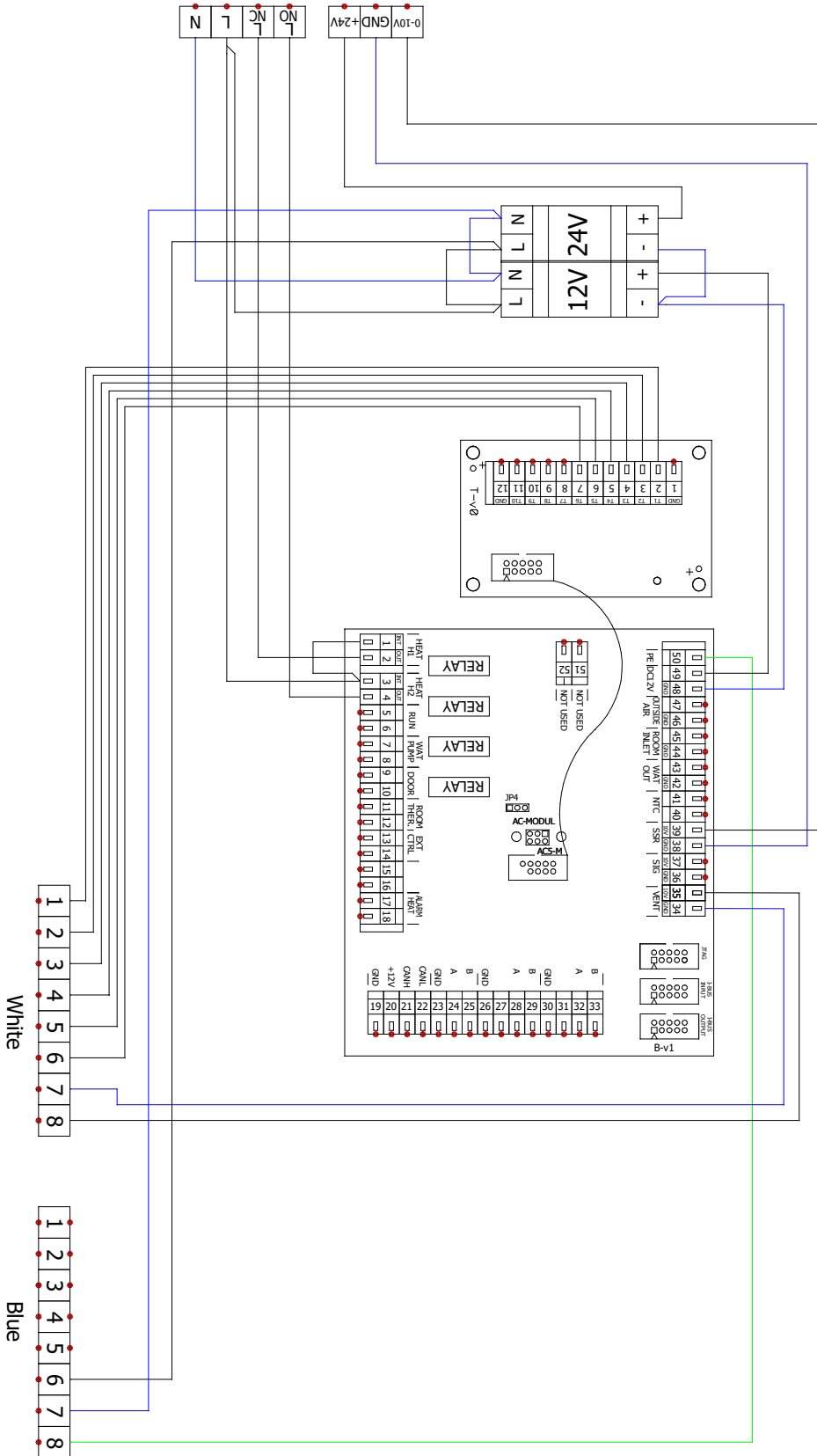


WIRING DIAGRAMS

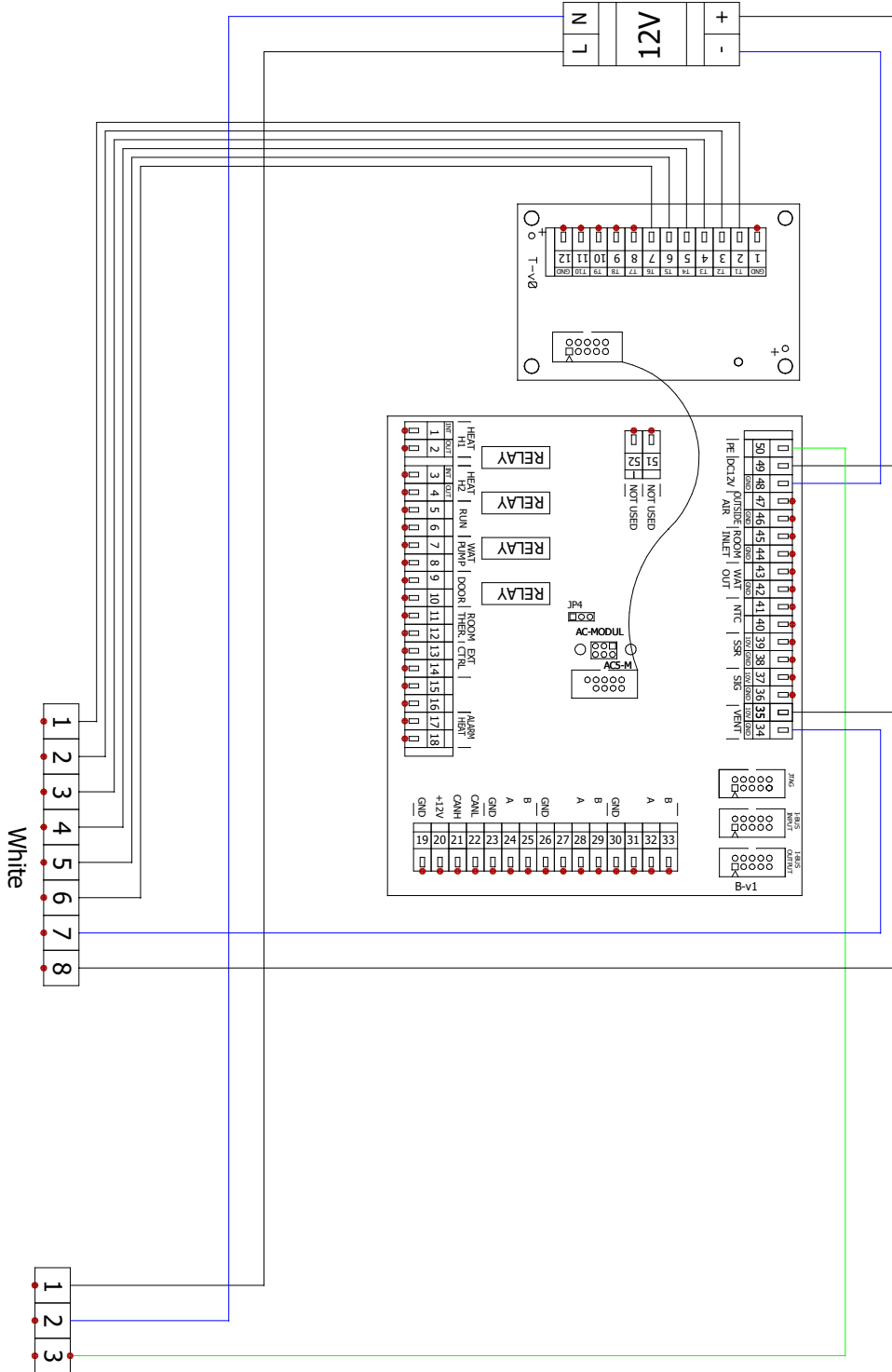
VCST4-AGCO1-M-EC-E2



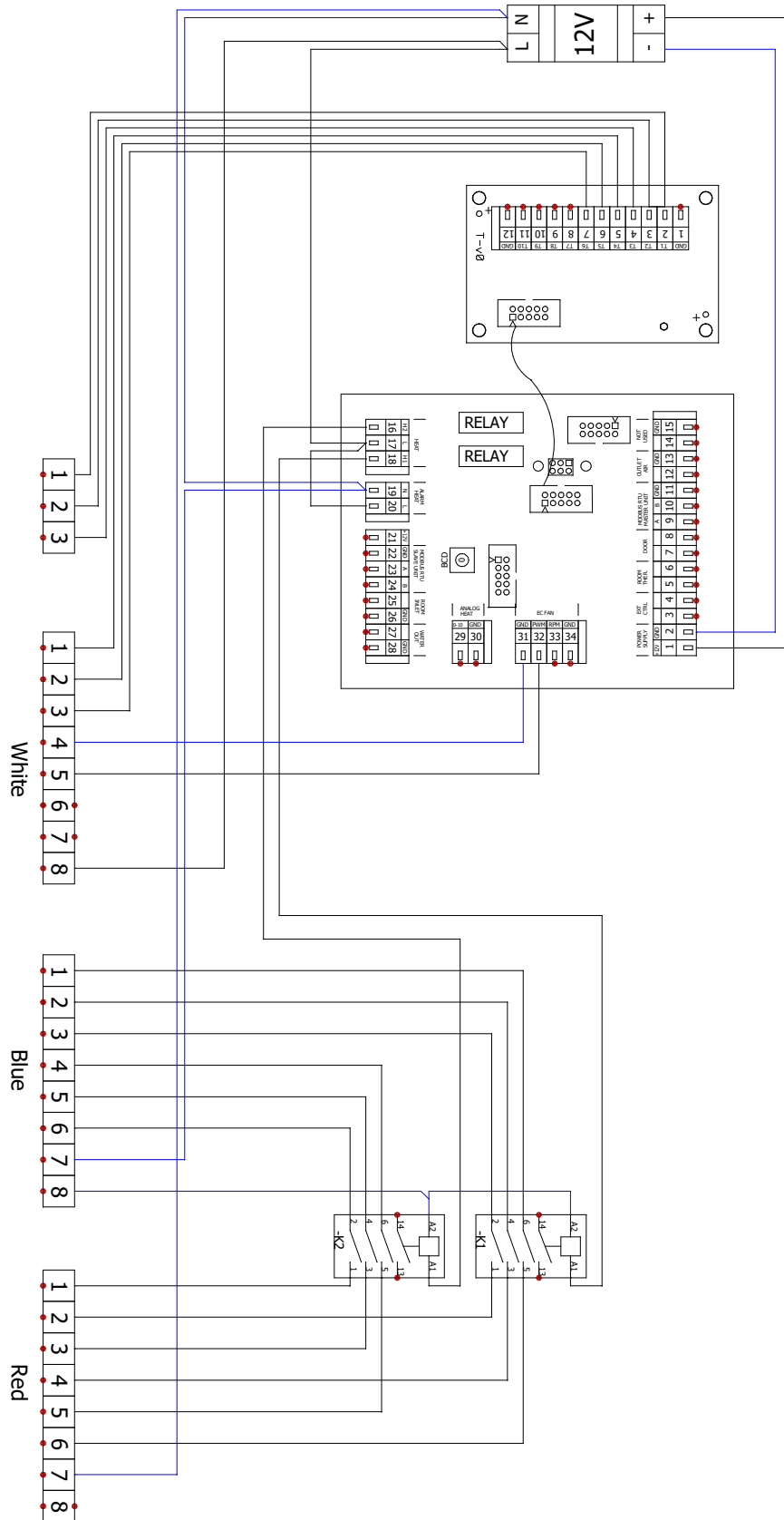
VCST4-AGCO1-M-EC-VC



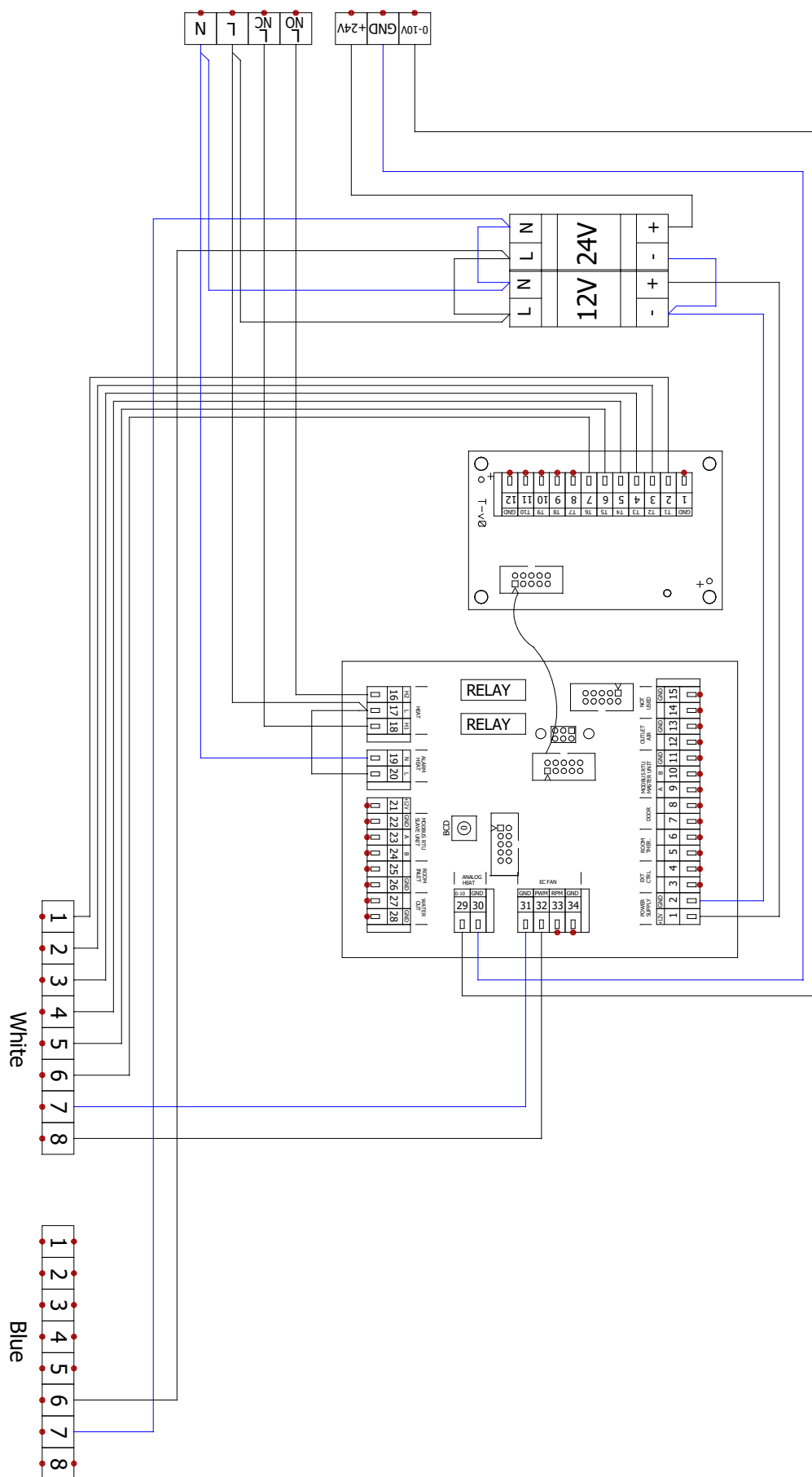
VCST4-AGCO1-M-EC-S0



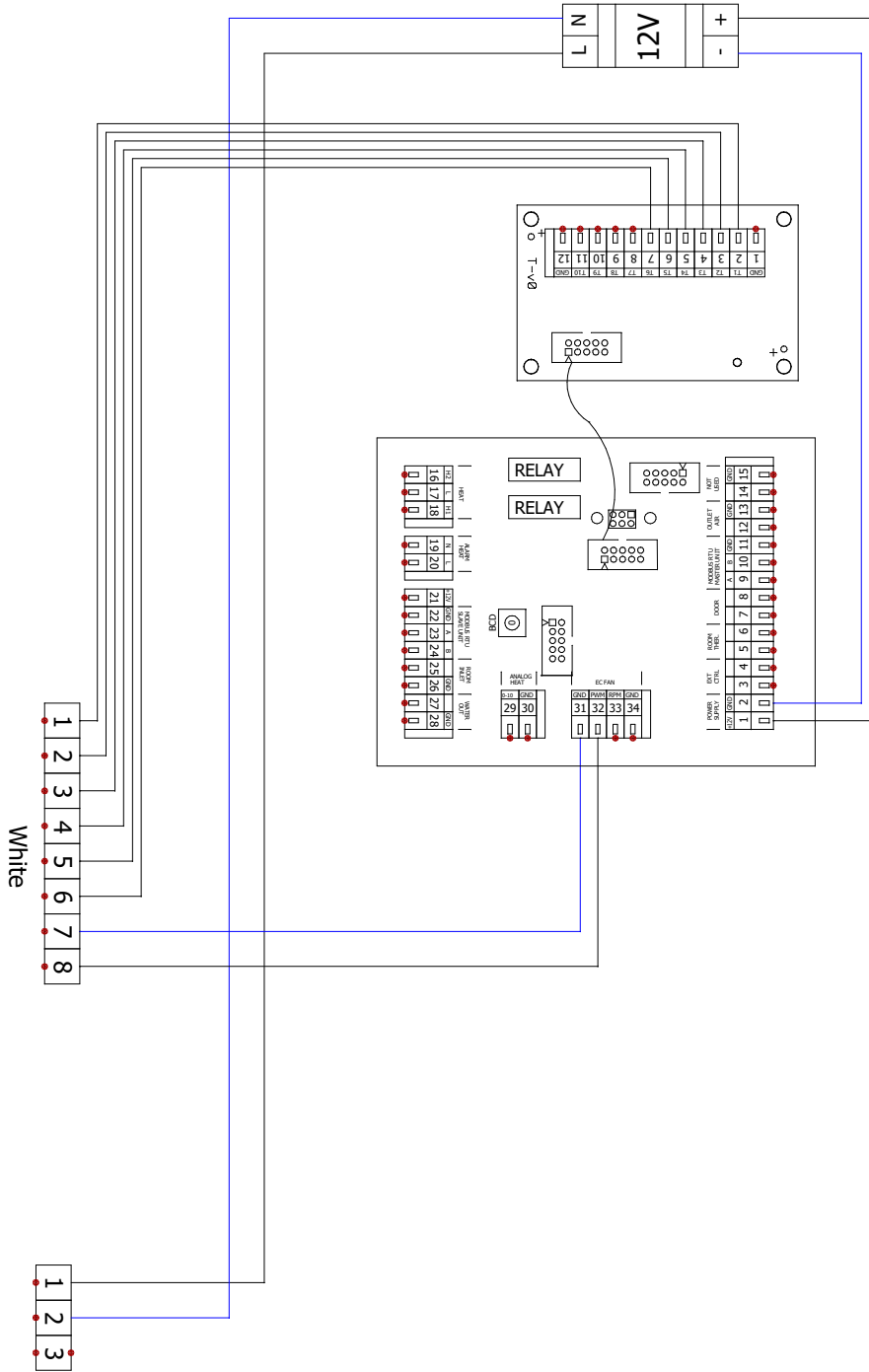
VCST4-AGCO1-S-EC-E2



VCST4-AGCO1-S-EC-VC



VCST4-AGCO1-S-EC-S0



CONCLUSION

In case of any doubt or query, do not hesitate to **contact** our sales or technical support departments.

CONTACT

Address:
2VV, s.r.o.,
Fáblovka 568,
533 52 Pardubice,
Česká republika

Internet:
<http://www.2vv.cz/>

