



Option available

This discreet and high-performance air curtain sits neatly into a suspended ceiling and has separated air intake and outlets in order to avoid circulation of air. This increases the efficiency of the unit and maintains a strong seal across a doorway.

The design of the inlet grille acts as an air filter, preventing dust and airborne contaminants from entering. The grille can be periodically wiped or vacuumed.

The AirGENIO comfort controller is supplied as standard, which offers automatic control with manual override to adjust the air curtain's performance efficiently to any application. Option to upgrade to the advanced AirGENIO superior controller, which offers modulating heat output for both electric and water heaters using a suitable valve.

It is suitable for a range of environments from banks and boutiques to shopping centres and airports. Using air curtains in these types of situations makes internal temperature control more practical, as heat loss through "open-door" trading is significantly reduced.

COLOURS AVAILABLE

White RAL9016 (standard)
Any RAL colour

MOUNTING OPTIONS

Horizontal

CEILING MAX HEIGHT

4.0m

FAN OPTIONS

AC fan
EC fan (option)

HEATING OPTIONS

Electric
LPHW

LENGTHS AVAILABLE

1.0m 2.0m
1.5m 2.5m



Electrically heated

Model	Max mounting height m	*Airflow m ³ /h	Electrical heating capacity 400Vx3-50Hz kW	Power/current fans 230V-50Hz kW/A	Noise level (@3m) dB(A)	Weight kg
VCF-B-100-E	3.5	1778	9.4	0.6 / 2.75	57.9	39.5
VCF-B-150-E	3.5	2552	15	0.9 / 4	60.2	54.5
VCF-B-200-E	3.5	3444	19	1.2 / 5.3	61.2	71
VCF-B-250-E	3.5	4187	24.5	1.5 / 6.5	62.8	85
VCFI4B100-E1EC	3.5	1810	9.4	0.334 / 2.8	58.8	35.5
VCFI4B150-E1EC	3.5	2710	15	0.501 / 4.2	60.8	48.5
VCFI4B200-E1EC	3.5	3620	19	0.668 / 5.6	62.2	63
VCFI4B250-E1EC	3.5	4520	24.5	0.835 / 7	63.4	75
VCF-C-100-E	4	2467	9.4	1.15 / 4.8	61.2	44
VCF-C-150-E	4	3401	15	1.45 / 6.3	62.7	60
VCF-C-200-E	4	4318	19	1.85 / 7.9	64	75.5
VCF-C-250-E	4	5018	24.5	2.25 / 9.7	65.8	90

*tested to ISO 27327-1

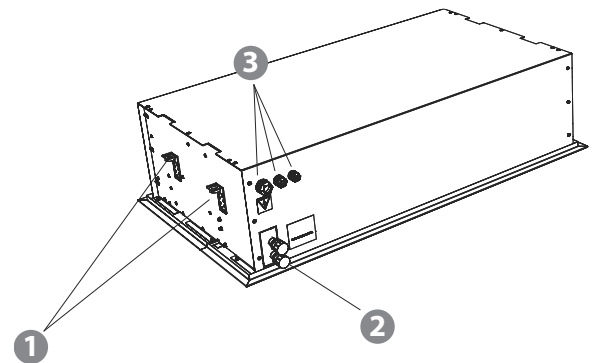
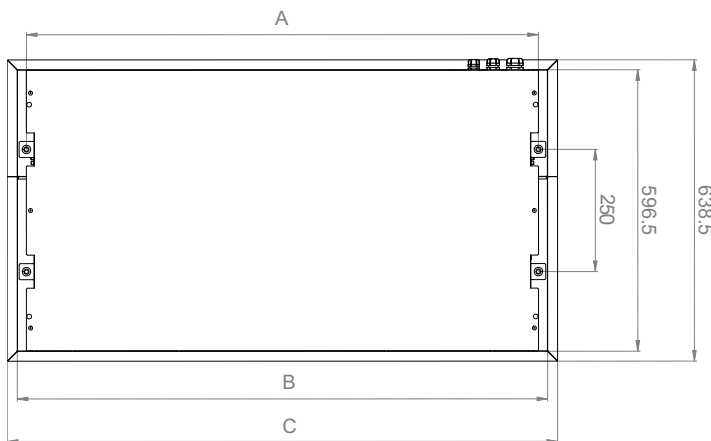
FINESSE

Water heated

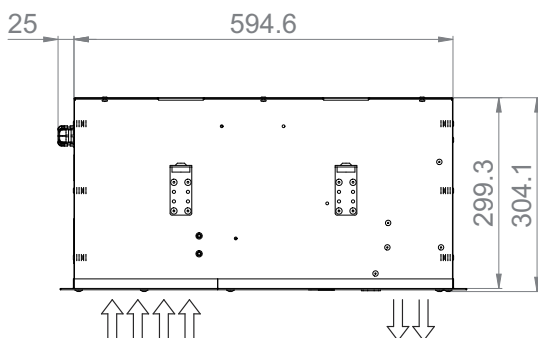
Model	Max mounting height m	*Airflow m ³ /h	P86		P64		Power/current fans 230V-50Hz kW/A	Noise level (@3m) dB(A)	Weight kg
			Water heating capacity 80/60°C kW	Water drop pressure 80/60°C Pa	Water heating capacity 60/40°C kW	Water drop pressure 60/40°C Pa			
VCF-B-100-V	3.5	1691	20.2	8640	11.8	4130	0.6 / 2.75	57.5	54.5
VCF-B-150-V	3.5	2449	31.7	2038	18.5	8770	0.9 / 4	59.6	71
VCF-B-200-V	3.5	3381	43.1	1735	25.2	8020	1.2 / 5.3	61	73
VCF-B-250-V	3.5	4061	51	1315	29.8	6560	1.5 / 6.5	62.5	87
VCFI4B100-V2EC	3.5	1700	15.9	5590	11.8	4130	0.334 / 2.8	57.5	37
VCFI4B150-V2EC	3.5	2550	24.9	15890	18.5	8770	0.501 / 4.2	59.3	50
VCFI4B200-V2EC	3.5	3400	33	13930	25.2	8020	0.668 / 5.6	60.5	65
VCFI4B250-V2EC	3.5	4250	40.5	14520	29.8	6560	0.835 / 7	61.8	77
VCF-C-100-V	4	2334	23.8	1075	13.9	5440	1.15 / 4.8	61.2	45.5
VCF-C-150-V	4	3251	36.5	2474	21.4	1071	1.45 / 6.3	62.5	61
VCF-C-200-V	4	4226	46.7	1943	27.2	8860	1.85 / 7.9	63.7	77
VCF-C-250-V	4	4885	51	1428	29.8	6600	2.25 / 9.7	65.6	91.5

*tested to ISO 27327-1

Layout and dimensions



1. Suspension holders
2. 3/4" water coil connection
3. Power supply cable entry



	A	B	C
VCFI4B100	1085	1124.1	1166.1
VCFI4B150	1585	1624.1	1666.1
VCFI4B200	2085	2124.1	2166.1
VCFI4B250	2465	2504.1	2546.1